






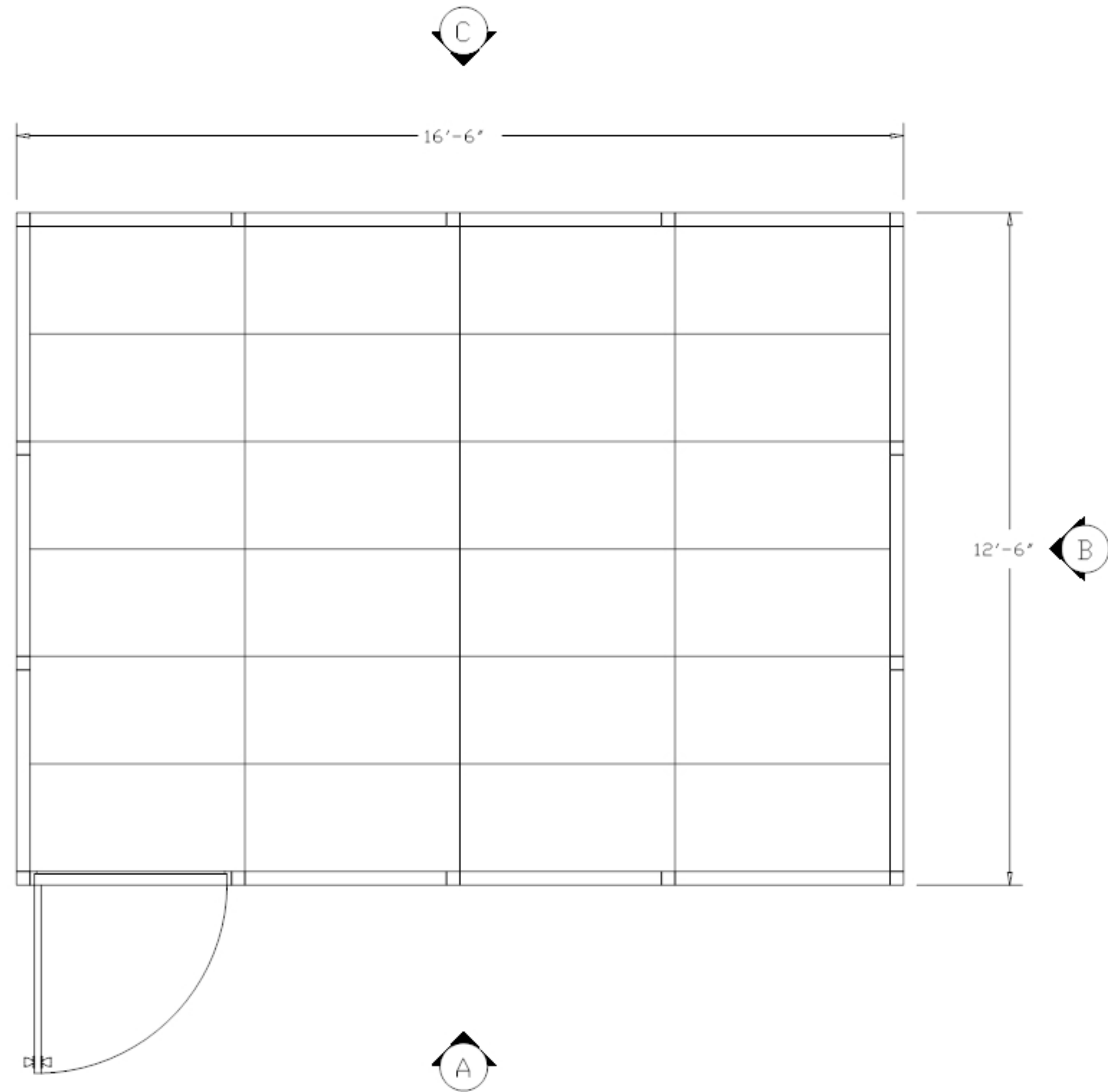


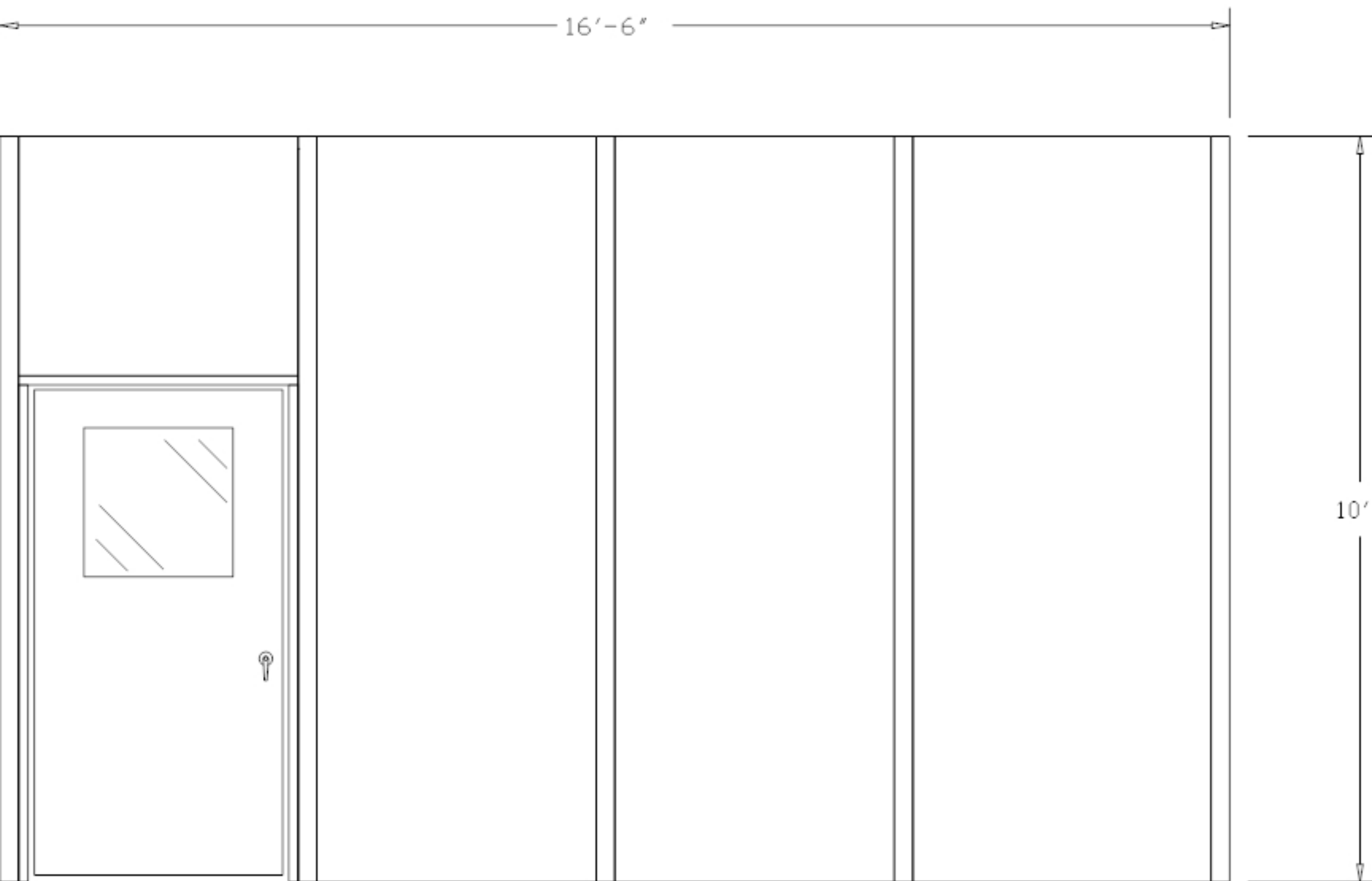
PLEASE MARK DESIRED LOCATION OF OPTIONS

SHOWN IN LEGEND ON FLOOR PLAN

HDW 121610

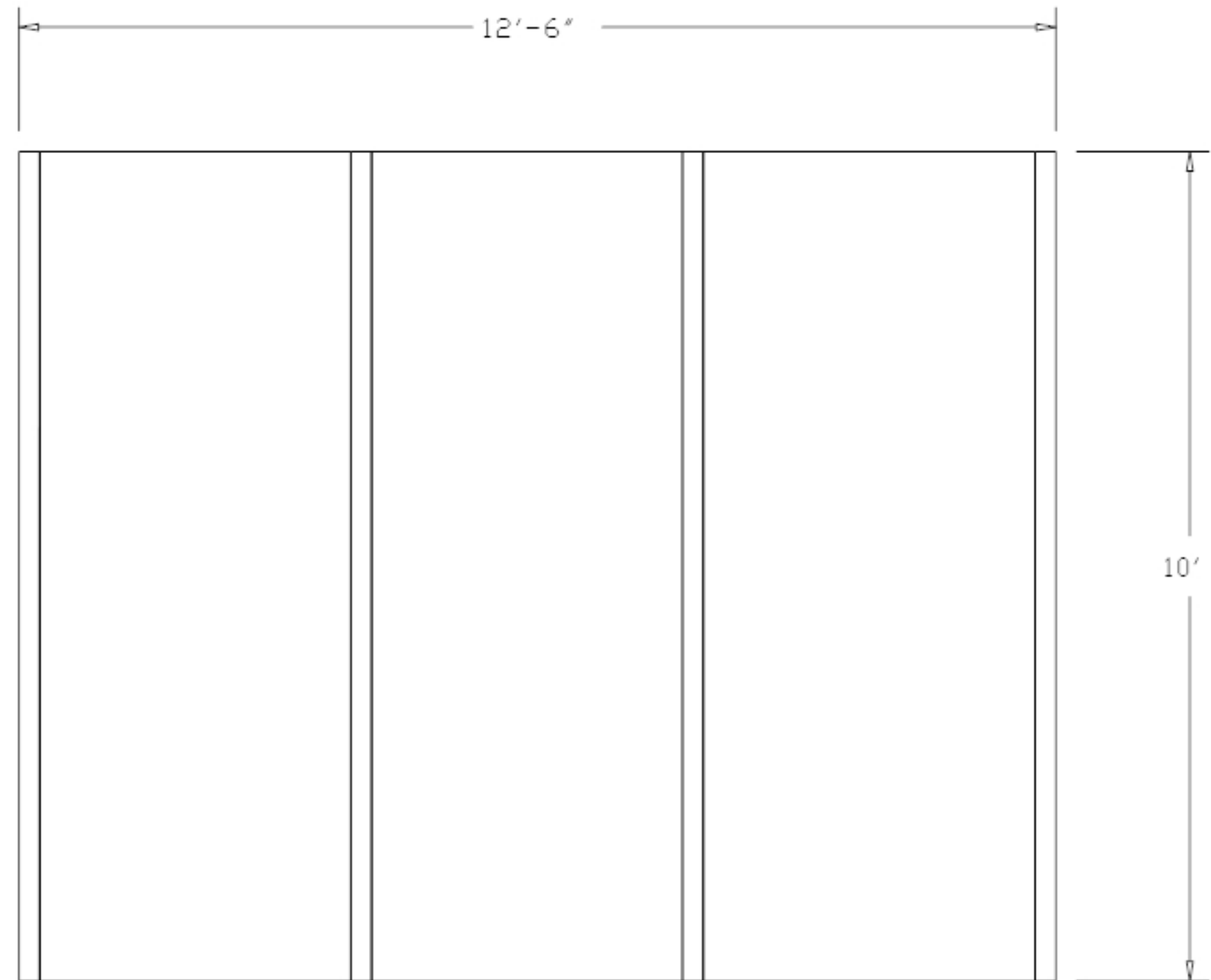
<u>DESCRIPTION</u>	<u>SYMBOL</u>	<u>DESIGNATION</u>
208V OUTLET =		$\Phi$
TYP. EMERGENCY FLOOD LIGHTS =		E/L
120V DUPLEX OUTLET =		$\Phi$
LIGHT SWITCH =		\$
MAIN PANEL =		PNL
TYP. 2' X 4' LAY IN 4 TUBE CLEANROOM LIGHT FIXTURE =		L/F
TYP. 2' X 4' FAN POWERED HEPA FILTER =		F/U





"A" ELEVATION

HDW 121610



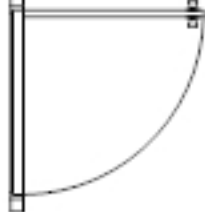
"B" ELEVATION

PLEASE MARK DESIRED LOCATION OF OPTIONS  
 SHOWN IN LEGEND ON FLOOR PLAN  
 HDW 121610

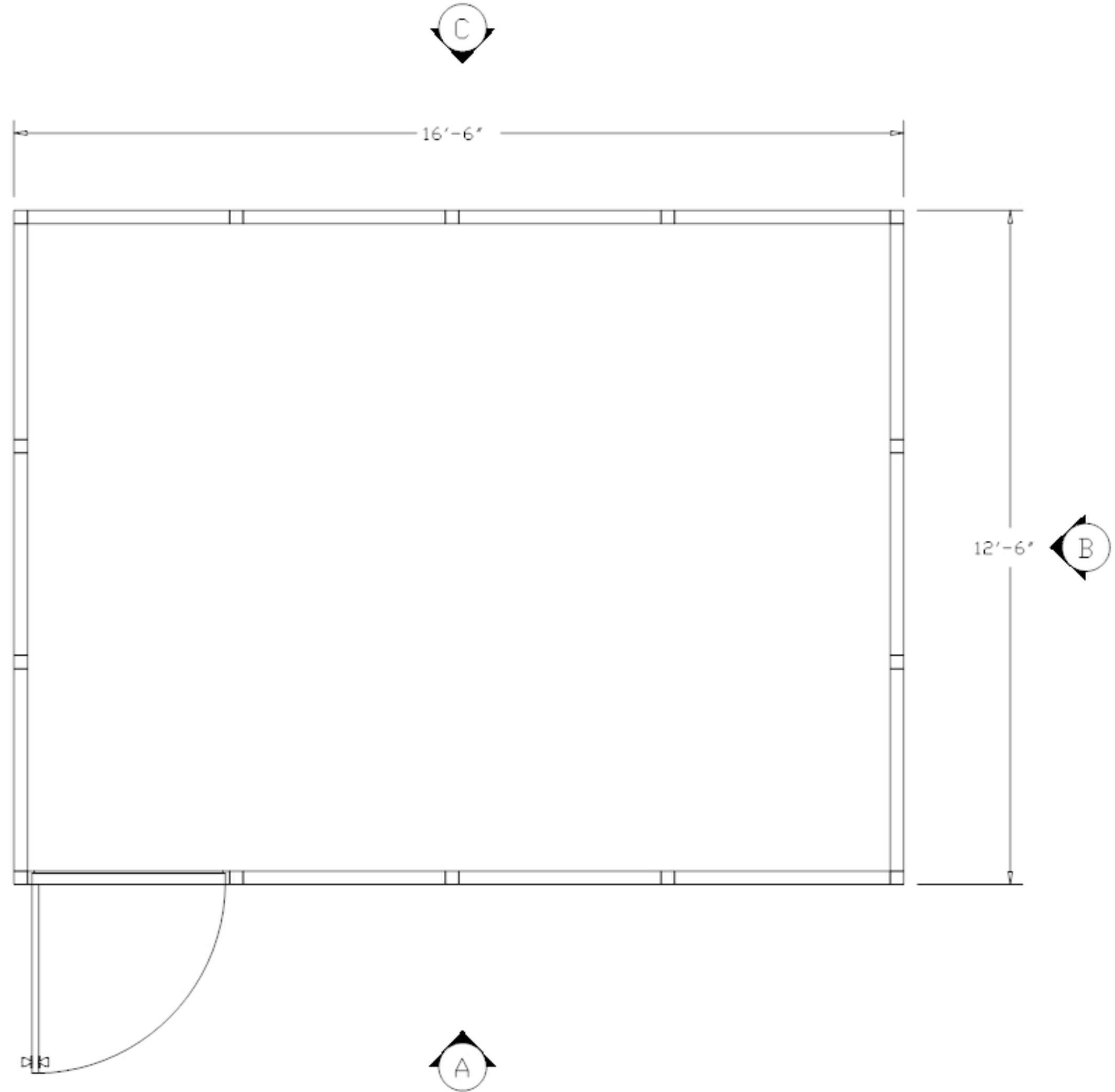
DESCRIPTION                      SYMBOL                      DESIGNATION

WINDOW PANEL                      =                                            =                      W/P

SOLID PANEL                      =                                            =                      S/P

42" X 80" DOOR  
 W/ 2' X 2'  
 WINDOW                      =                                            =                      D/L

DOUBLE DOOR  
 W/ 2' X 2'  
 WINDOW                      =                                            =                      DD/L



PLEASE MARK DESIRED LOCATION OF OPTIONS

SHOWN IN LEGEND ON FLOOR PLAN

HDW 121610

DESCRIPTION

SYMBOL

DESIGNATION

TYP. 2' X 4'  
LAY IN  
CEILING TILE

=



=

C/T

TYP. 2' X 4'  
LAY IN 4 TUBE  
CLEANROOM  
LIGHT FIXTURE

=



=

L/F

TYP. 2' X 4'  
FAN POWERED  
HEPA FILTER

=



=

F/U

