


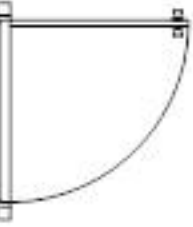
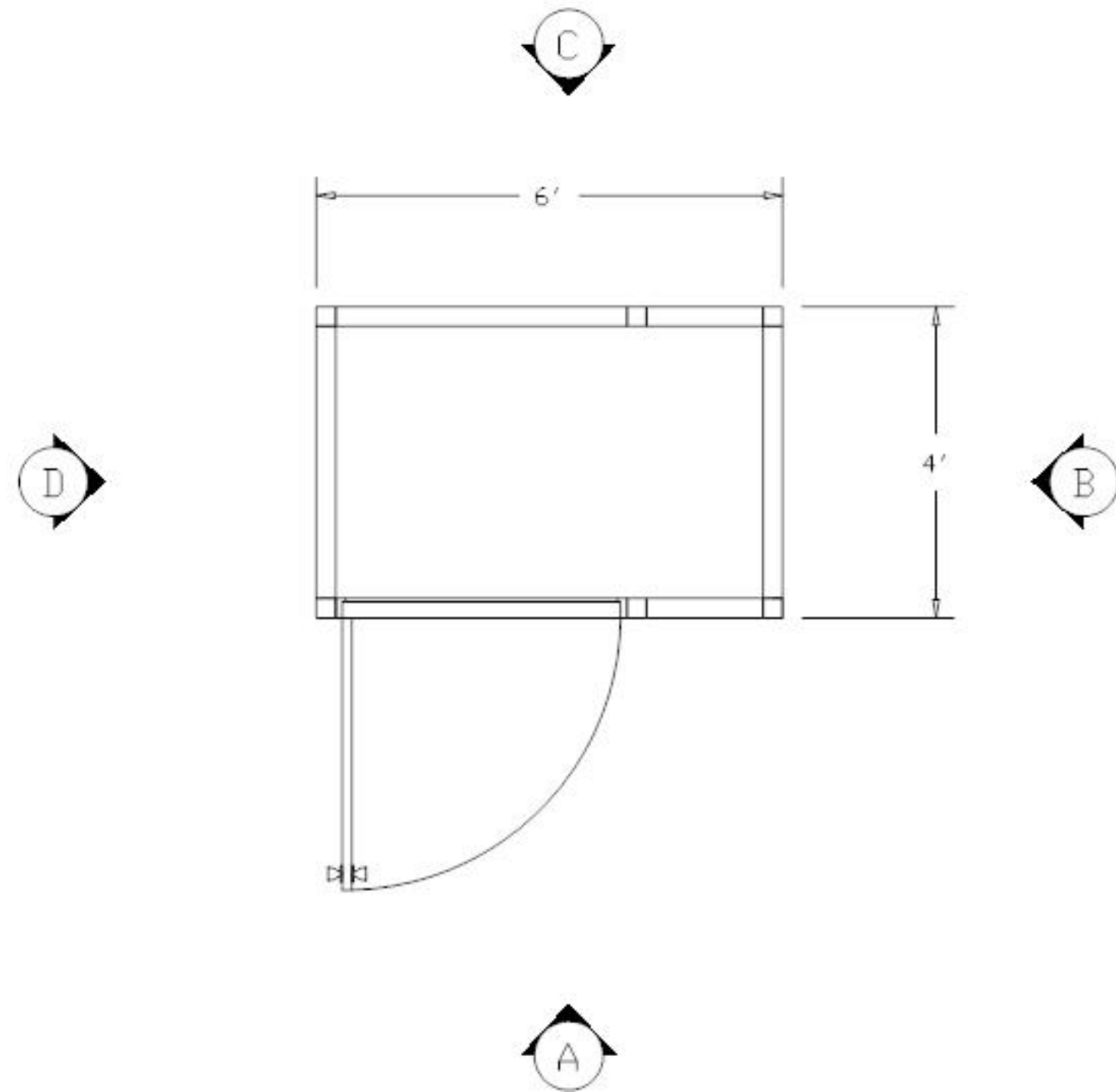
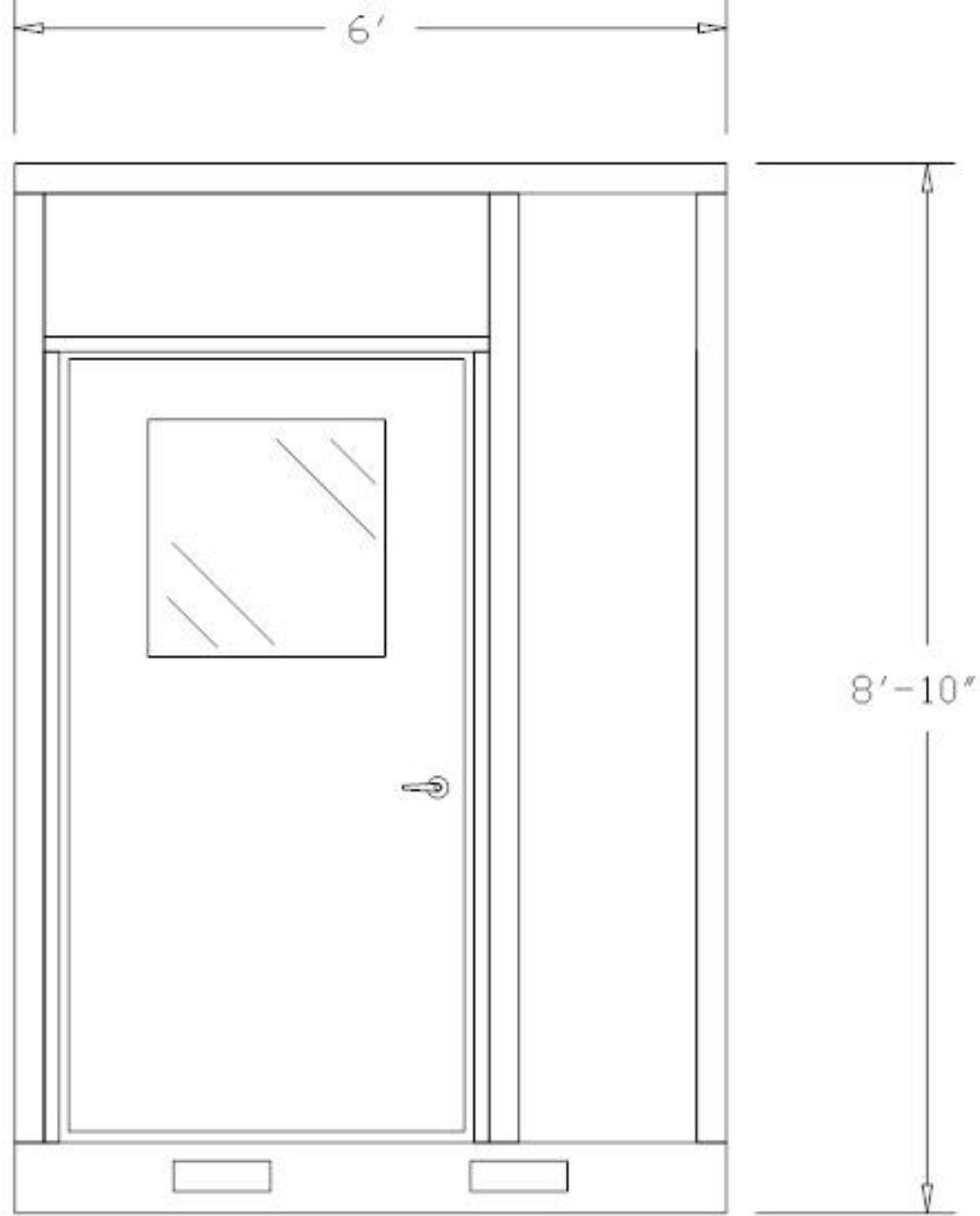


PLEASE MARK DESIRED LOCATION OF OPTIONS  
 SHOWN IN LEGEND ON FLOOR PLAN  
 PR3 468

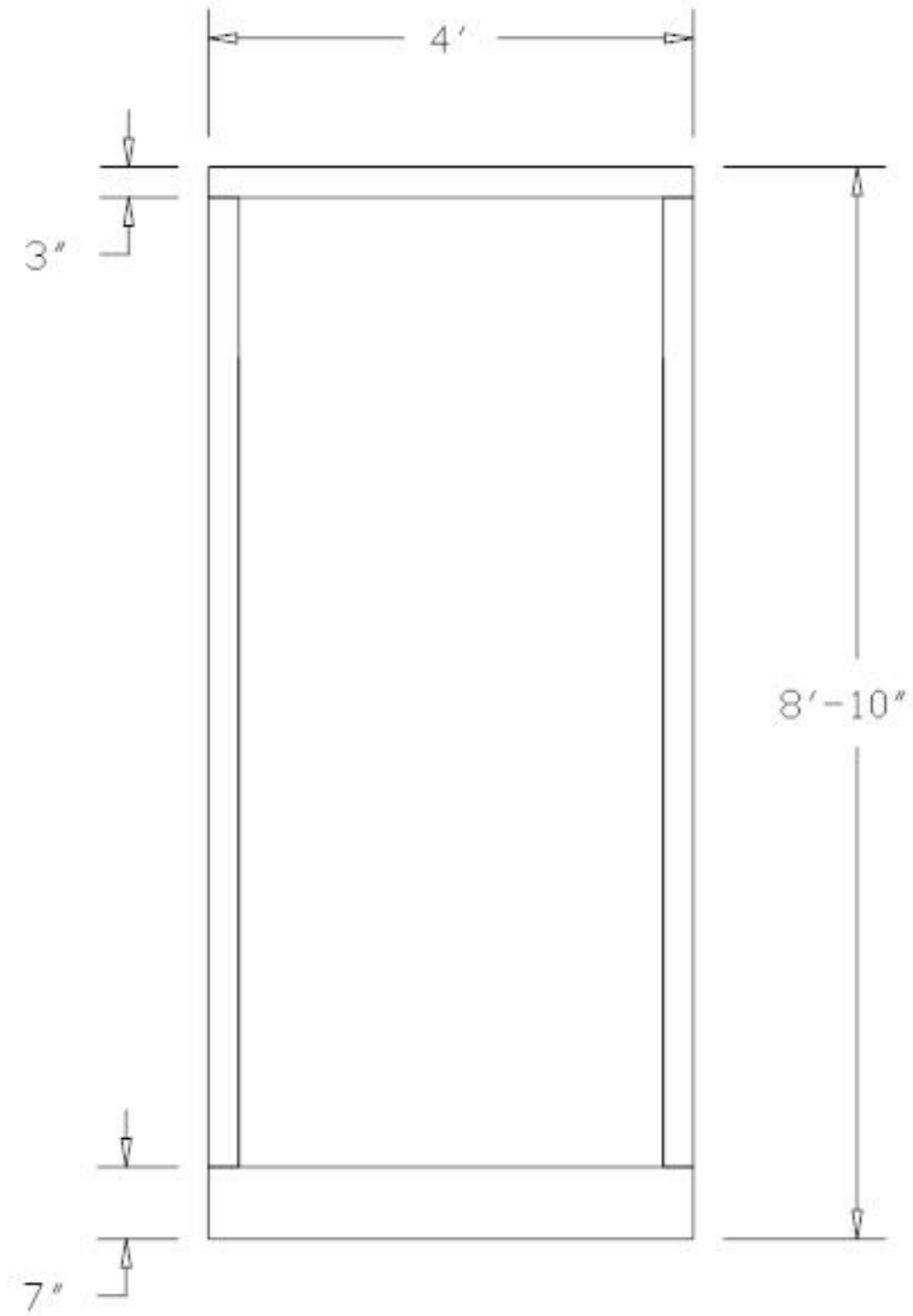
<u>DESCRIPTION</u>	<u>SYMBOL</u>	<u>DESIGNATION</u>
WINDOW PANEL =		W/P
SLIDING WINDOW PANEL =		SW/P
SOLID PANEL =		S/P
42" X 80" DOOR W/ 2' X 2' WINDOW =		D/L





"A" ELEVATION

PR3 468



"B" ELEVATION

PLEASE MARK DESIRED LOCATION OF OPTIONS  
 SHOWN IN LEGEND ON FLOOR PLAN  
 PR3 468

DESCRIPTION

SYMBOL

DESIGNATION

6" OR 12"  
 ROOF OVER-  
 HANG

=



=

O/H(SIZE)

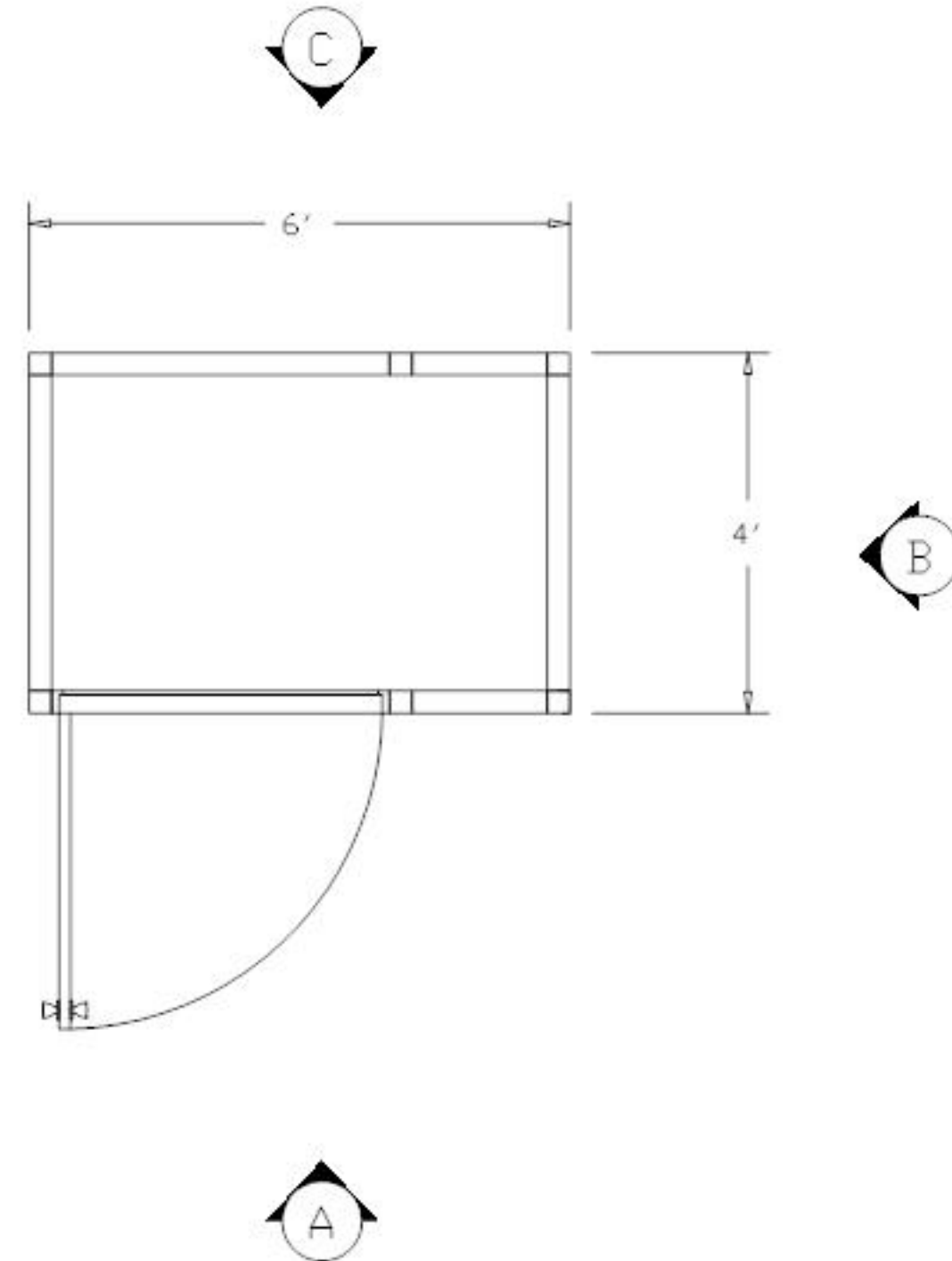
TYP. 2' 2-TUBE  
 SURFACE MOUNT  
 LIGHT FIXTURE

=



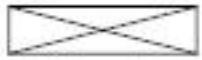
=

L/F



PLEASE MARK DESIRED LOCATION OF OPTIONS  
 SHOWN IN LEGEND ON FLOOR PLAN

PR3 468

<u>DESCRIPTION</u>	<u>SYMBOL</u>	<u>DESIGNATION</u>
120V DUPLEX OUTLET	⌀	⌀
LIGHT SWITCH	\$	\$
MAIN PANEL	PNL	PNL
TYP. 2' 2-TUBE SURFACE MOUNT LIGHT FIXTURE		L/F
THRU WALL HVAC UNIT	HVAC	HVAC

