

PLEASE MARK DESIRED LOCATION OF OPTIONS  
 SHOWN IN LEGEND ON FLOOR PLAN


PR3 688

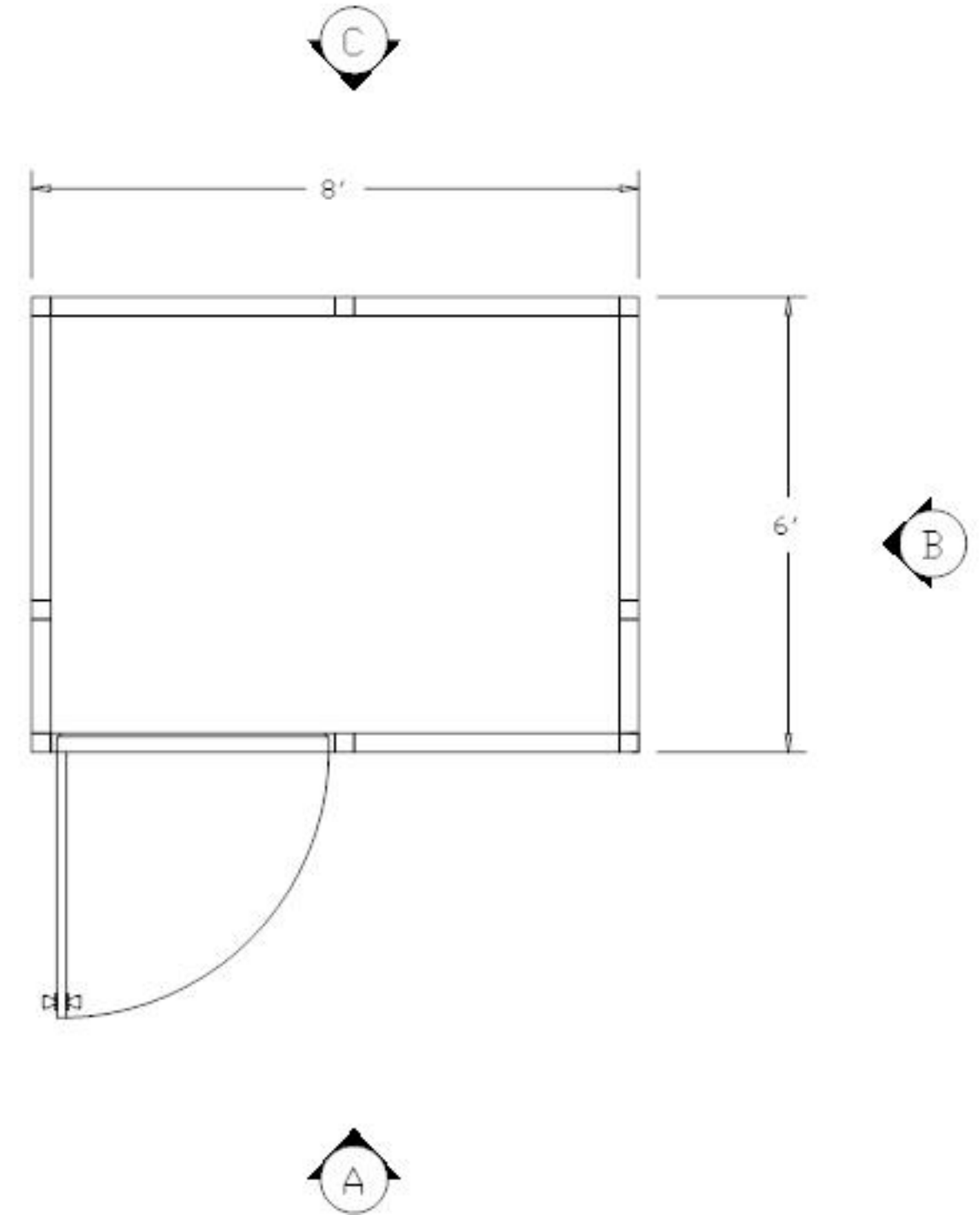
<u>DESCRIPTION</u>	<u>SYMBOL</u>	<u>DESIGNATION</u>
--------------------	---------------	--------------------

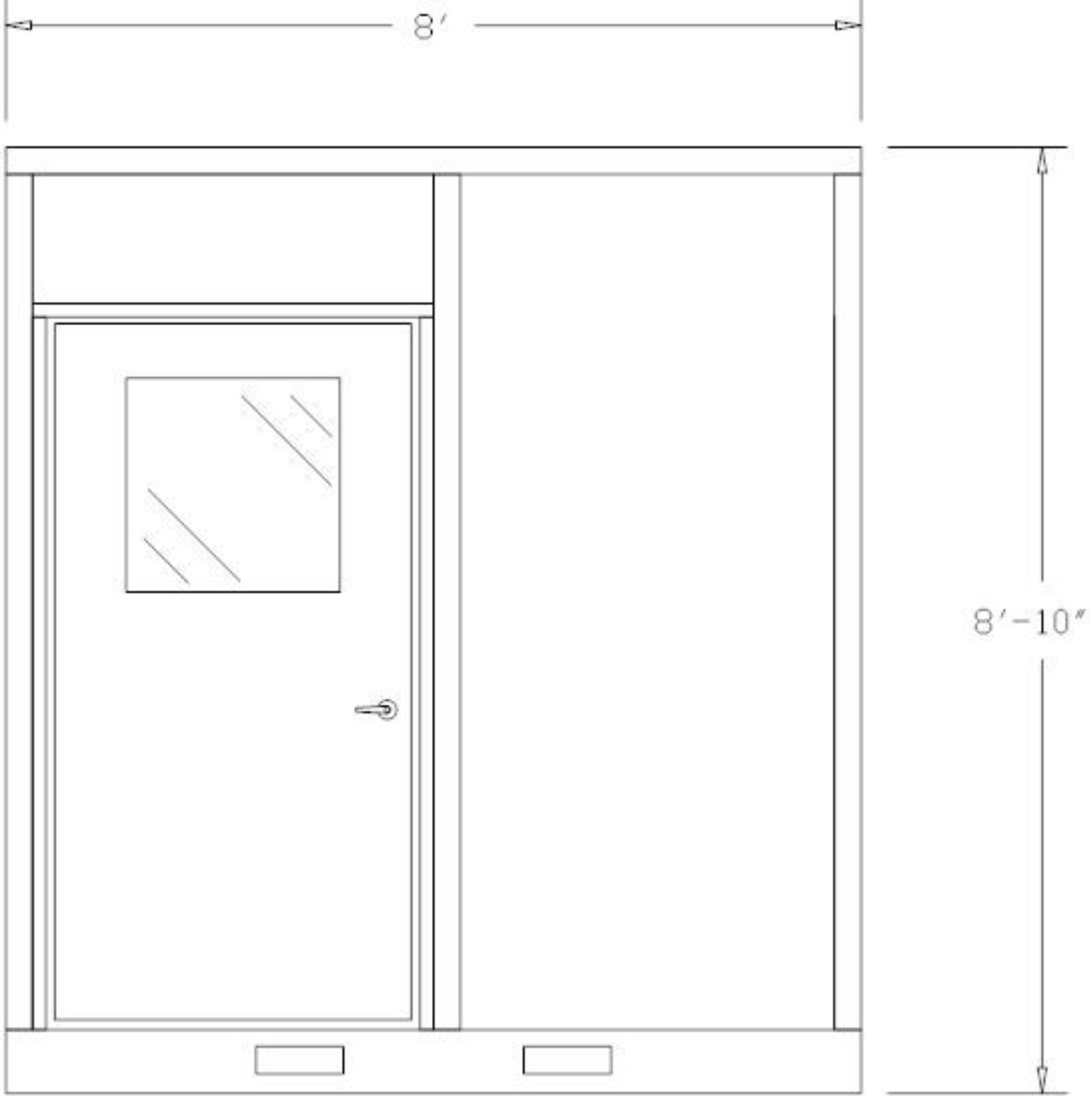
WINDOW PANEL	=		=	W/P
--------------	---	--	---	-----

SLIDING WINDOW PANEL	=		=	SW/P
-------------------------	---	--	---	------

SOLID PANEL	=		=	S/P
-------------	---	--	---	-----

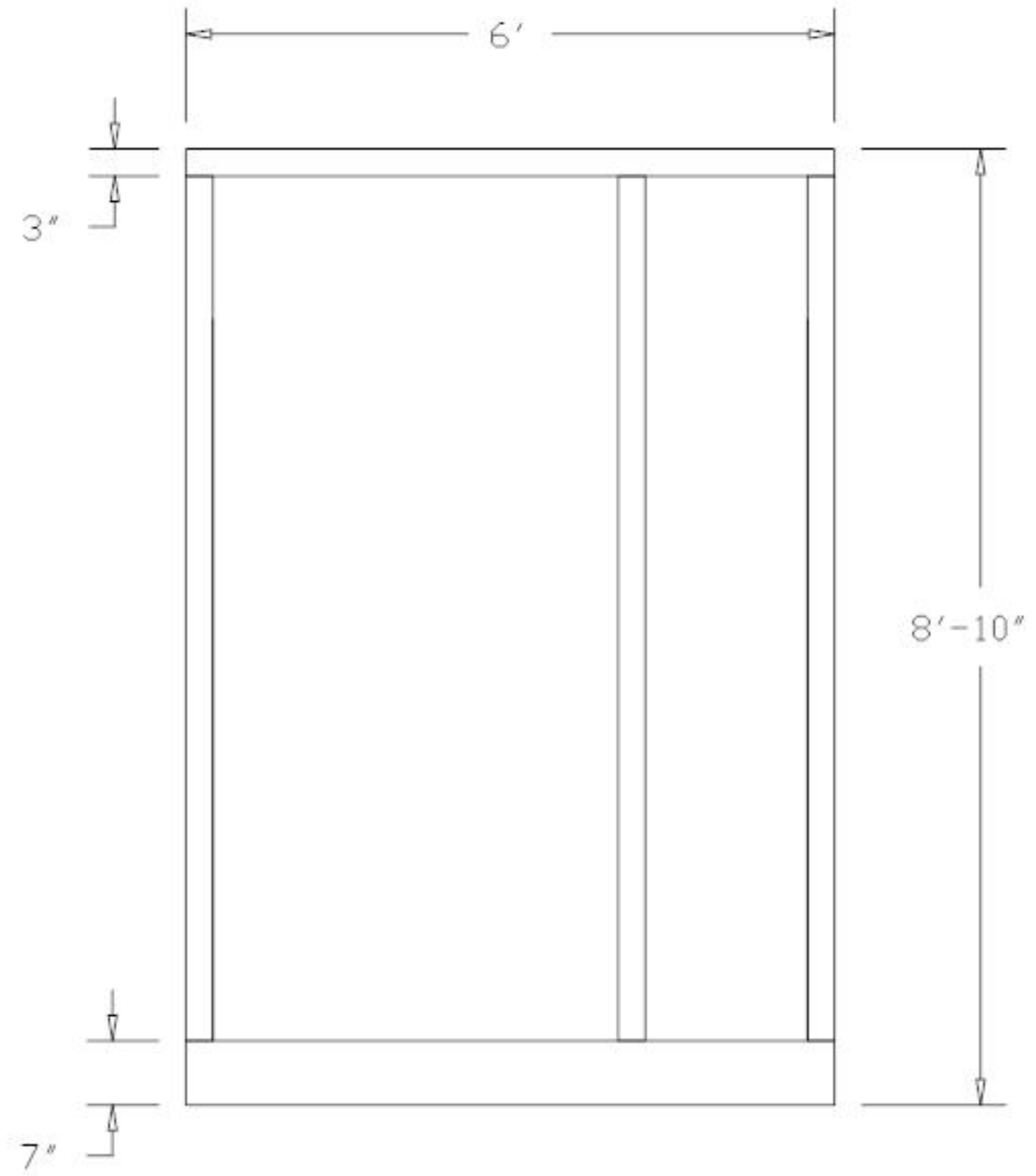
42" X 80" DOOR W/ 2' X 2' WINDOW	=		=	D/L
--	---	---	---	-----





"A" ELEVATION

PR3 688



"B" ELEVATION

PLEASE MARK DESIRED LOCATION OF OPTIONS  
SHOWN IN LEGEND ON FLOOR PLAN

PR3 688

DESCRIPTION

SYMBOL

DESIGNATION

6" OR 12"  
ROOF OVER-  
HANG

=

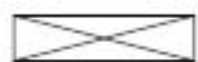


=

O/H(SIZE)

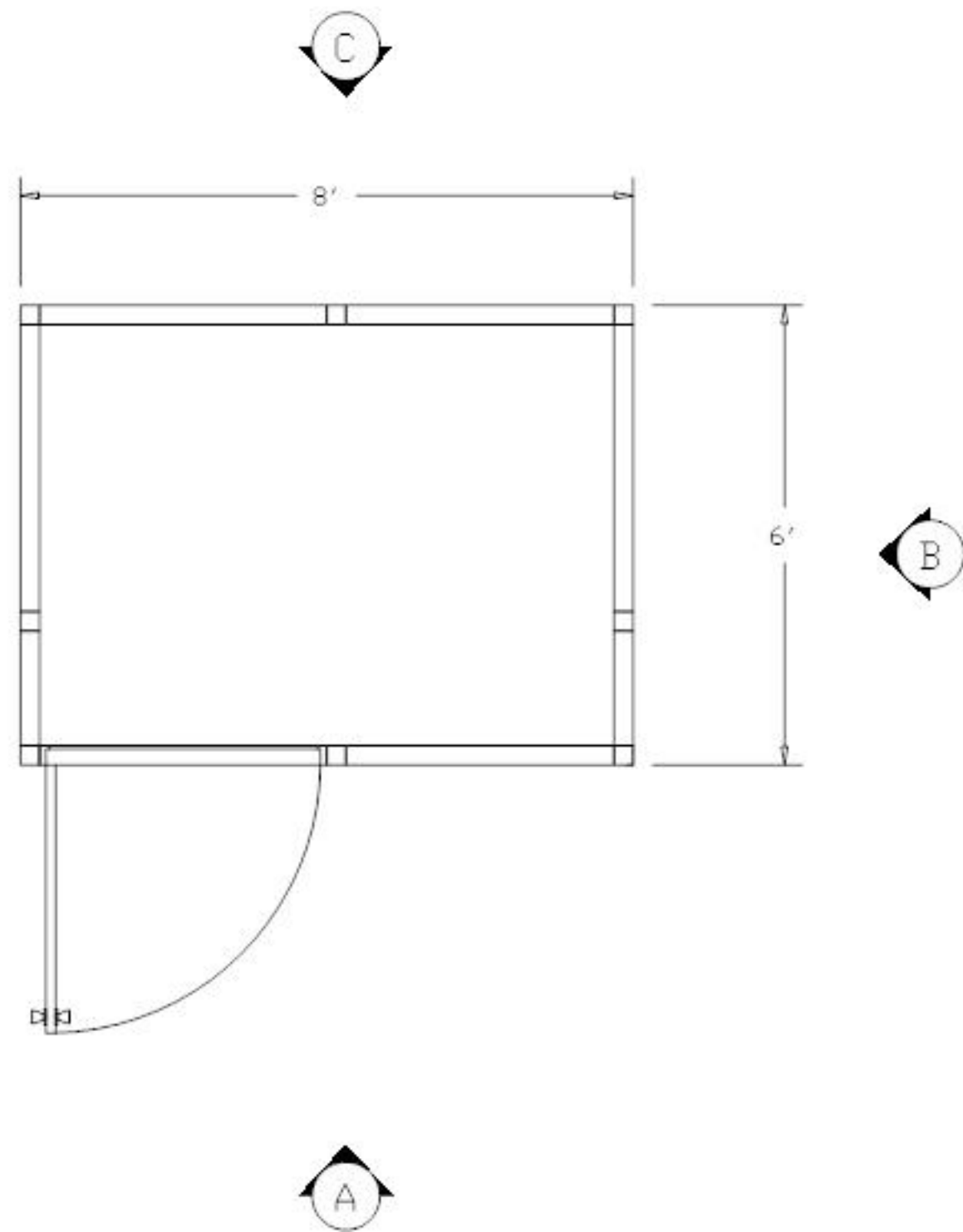
TYP. 2' 2-TUBE  
SURFACE MOUNT  
LIGHT FIXTURE

=

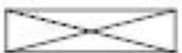


=

L/F



PLEASE MARK DESIRED LOCATION OF OPTIONS  
 SHOWN IN LEGEND ON FLOOR PLAN  
 PR3 688

<u>DESCRIPTION</u>	<u>SYMBOL</u>	<u>DESIGNATION</u>
120V DUPLEX OUTLET	= $\emptyset$	= $\emptyset$
LIGHT SWITCH	= \$	= \$
MAIN PANEL	= <span style="border: 1px solid black; padding: 2px;">PNL</span>	= <span style="border: 1px solid black; padding: 2px;">PNL</span>
TYP. 2' 2-TUBE SURFACE MOUNT LIGHT FIXTURE	= 	= L/F
THRU WALL HVAC UNIT	= <span style="border: 1px solid black; padding: 2px;">HVAC</span>	= <span style="border: 1px solid black; padding: 2px;">HVAC</span>

