



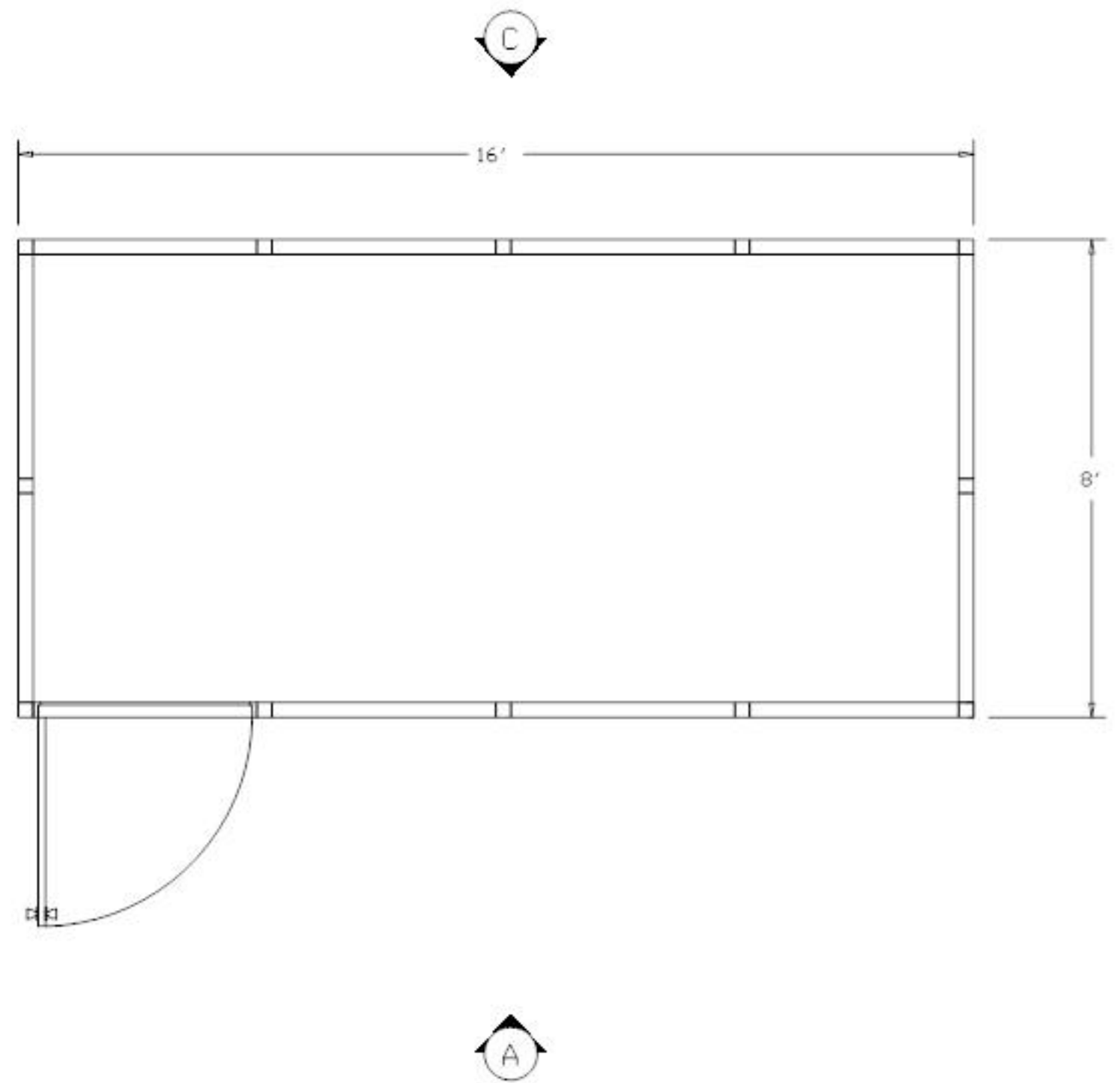
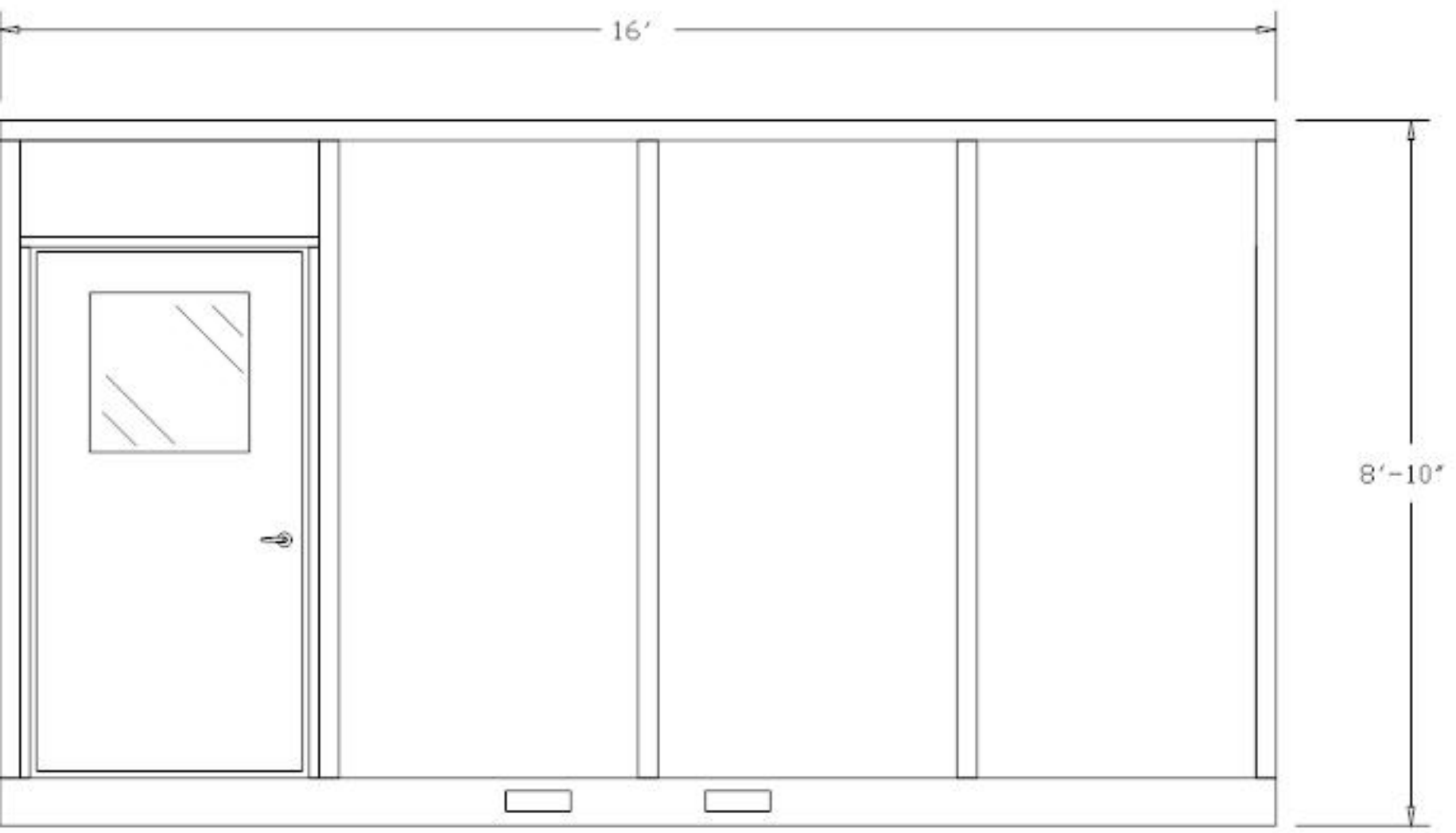


PLEASE MARK DESIRED LOCATION OF OPTIONS
 SHOWN IN LEGEND ON FLOOR PLAN

PR3 8168

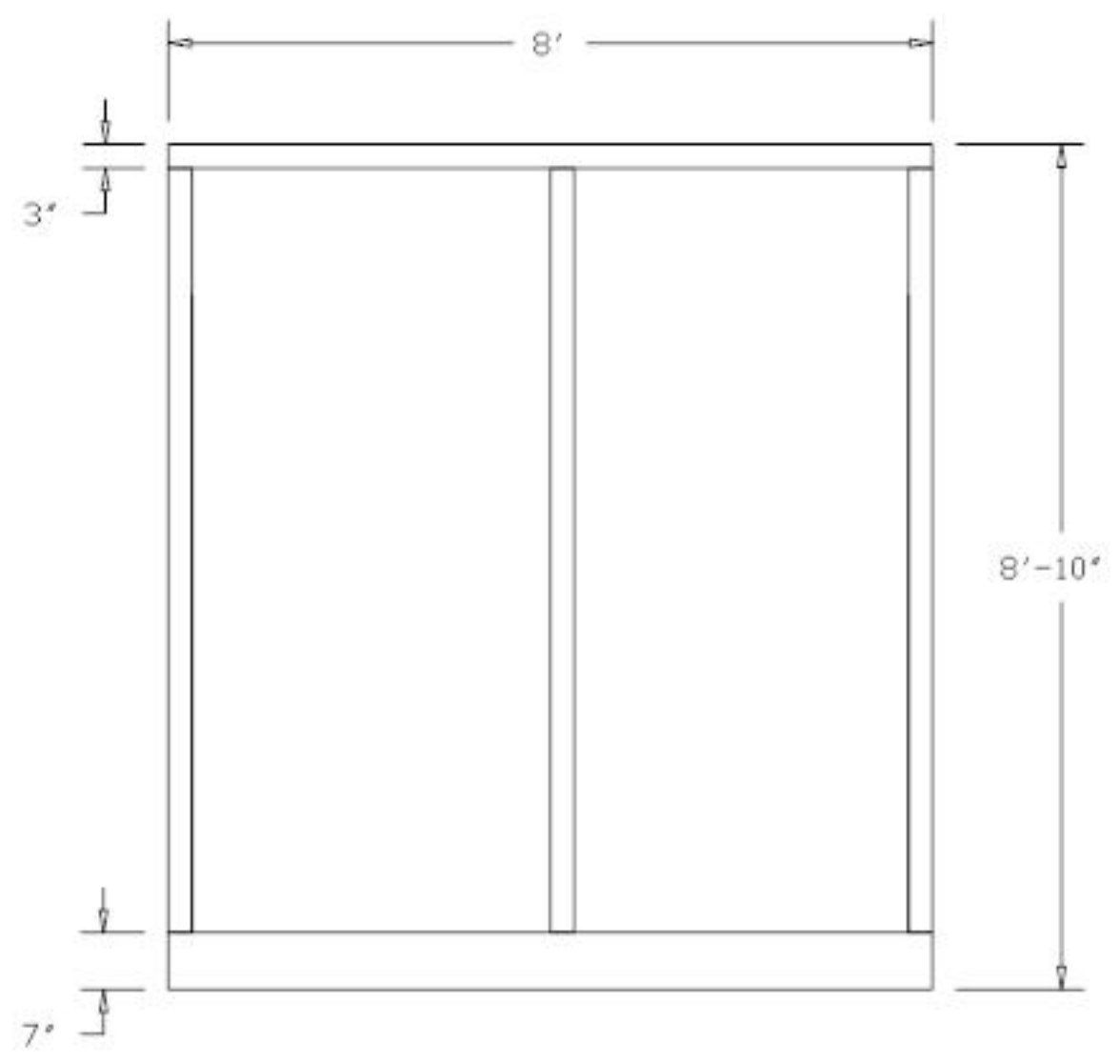
<u>DESCRIPTION</u>	<u>SYMBOL</u>	<u>DESIGNATION</u>
WINDOW PANEL =		W/P
SLIDING WINDOW PANEL =		SW/P
SOLID PANEL =		S/P
42" X 80" DOOR W/ 2' X 2' WINDOW =		D/L





"A" ELEVATION

PR3 8168



"B" ELEVATION

PLEASE MARK DESIRED LOCATION OF OPTIONS
 SHOWN IN LEGEND ON FLOOR PLAN
 PR3 8168

DESCRIPTION

SYMBOL

DESIGNATION

6" OR 12"
 ROOF OVER-
 HANG

=



=

□/□(SIZE)

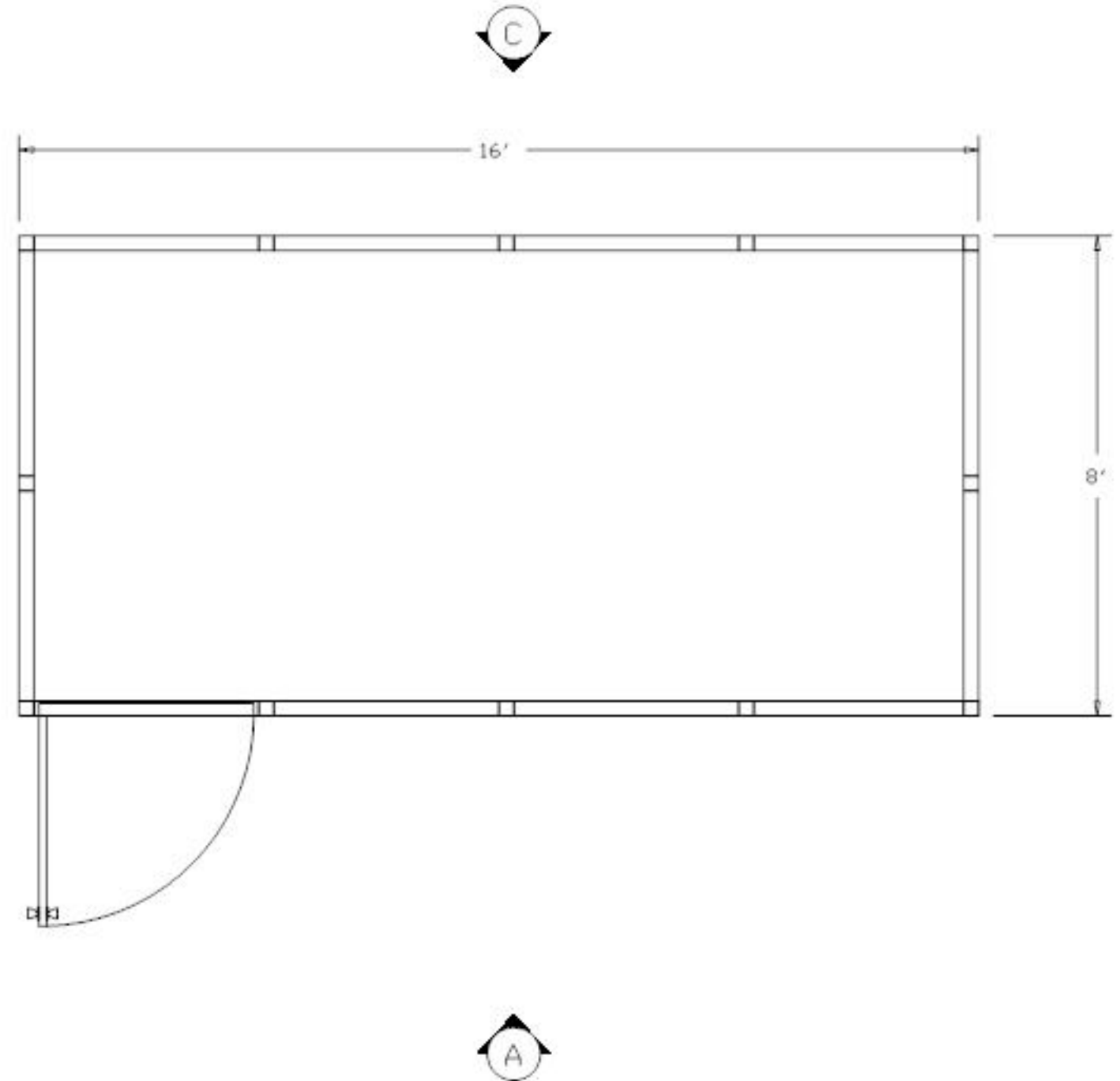
TYP. 2' 2-TUBE
 SURFACE MOUNT
 LIGHT FIXTURE

=



=

L/F



PLEASE MARK DESIRED LOCATION OF OPTIONS

SHOWN IN LEGEND ON FLOOR PLAN

PR3 8168

<u>DESCRIPTION</u>	<u>SYMBOL</u>	<u>DESIGNATION</u>
120V DUPLEX OUTLET	= ∅ =	∅
LIGHT SWITCH	= \$ =	\$
MAIN PANEL	= PNL =	PNL
TYP. 2' 2-TUBE SURFACE MOUNT LIGHT FIXTURE	= X =	L/F
THRU WALL HVAC UNIT	= HVAC =	HVAC

