


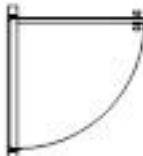
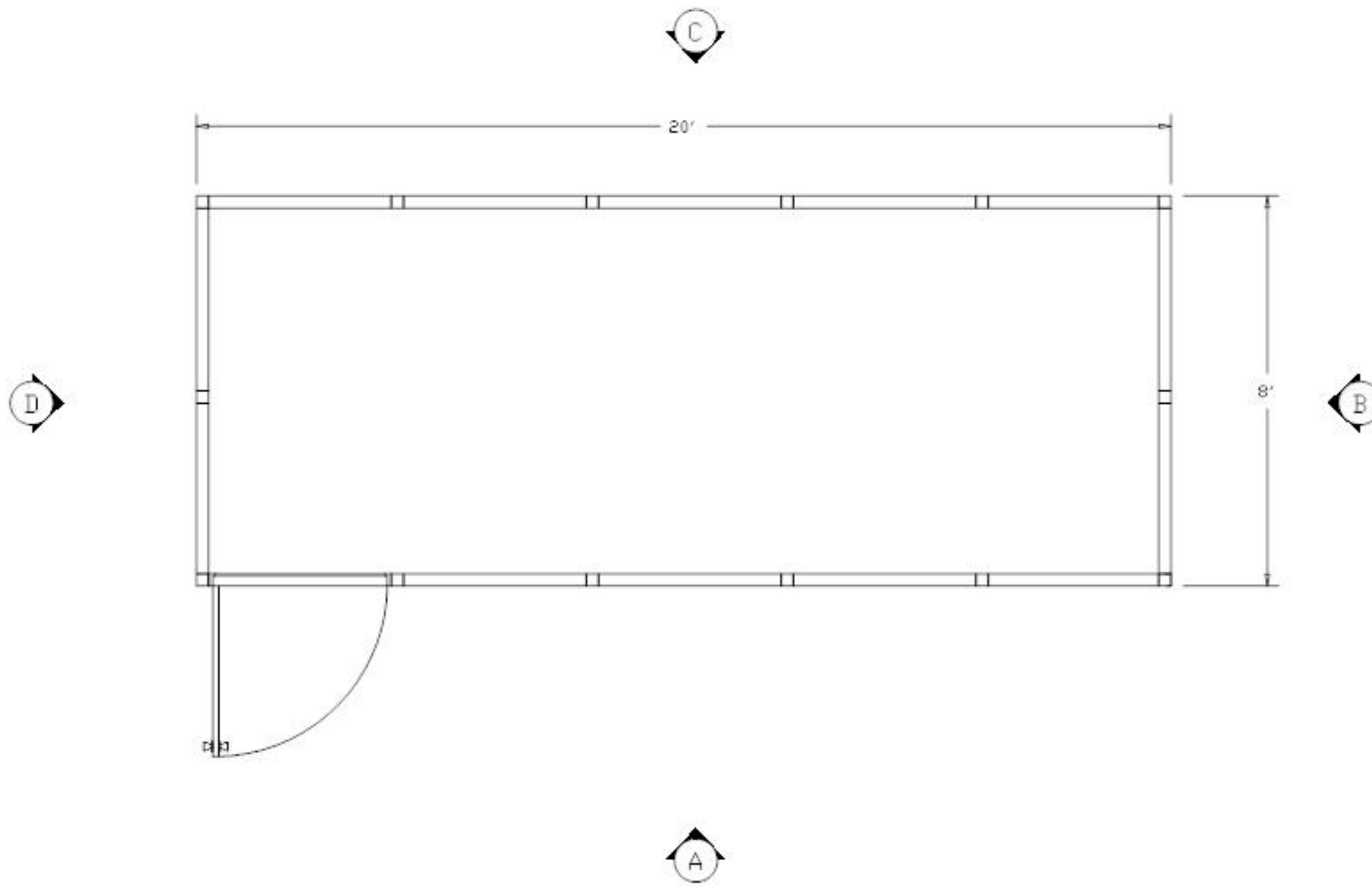
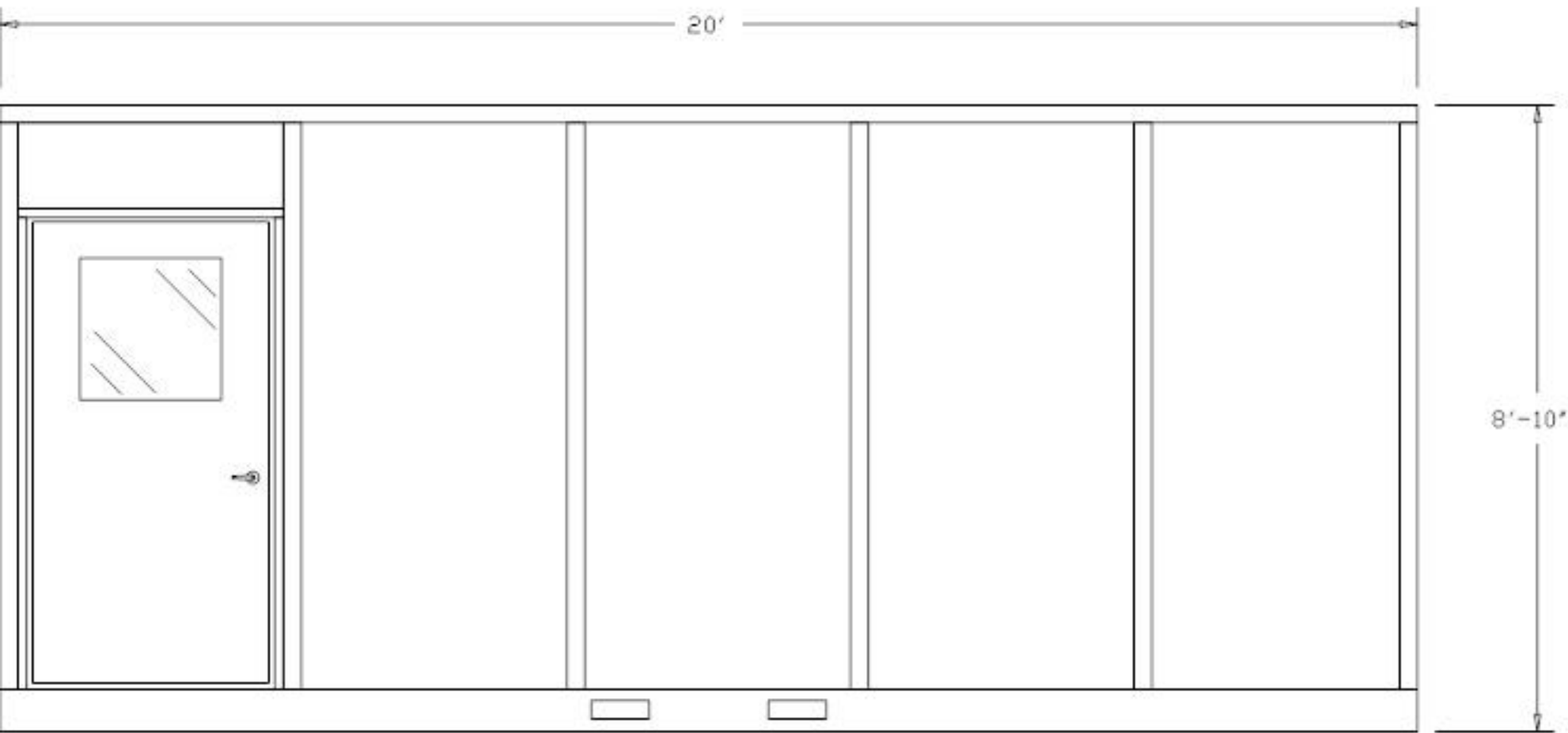


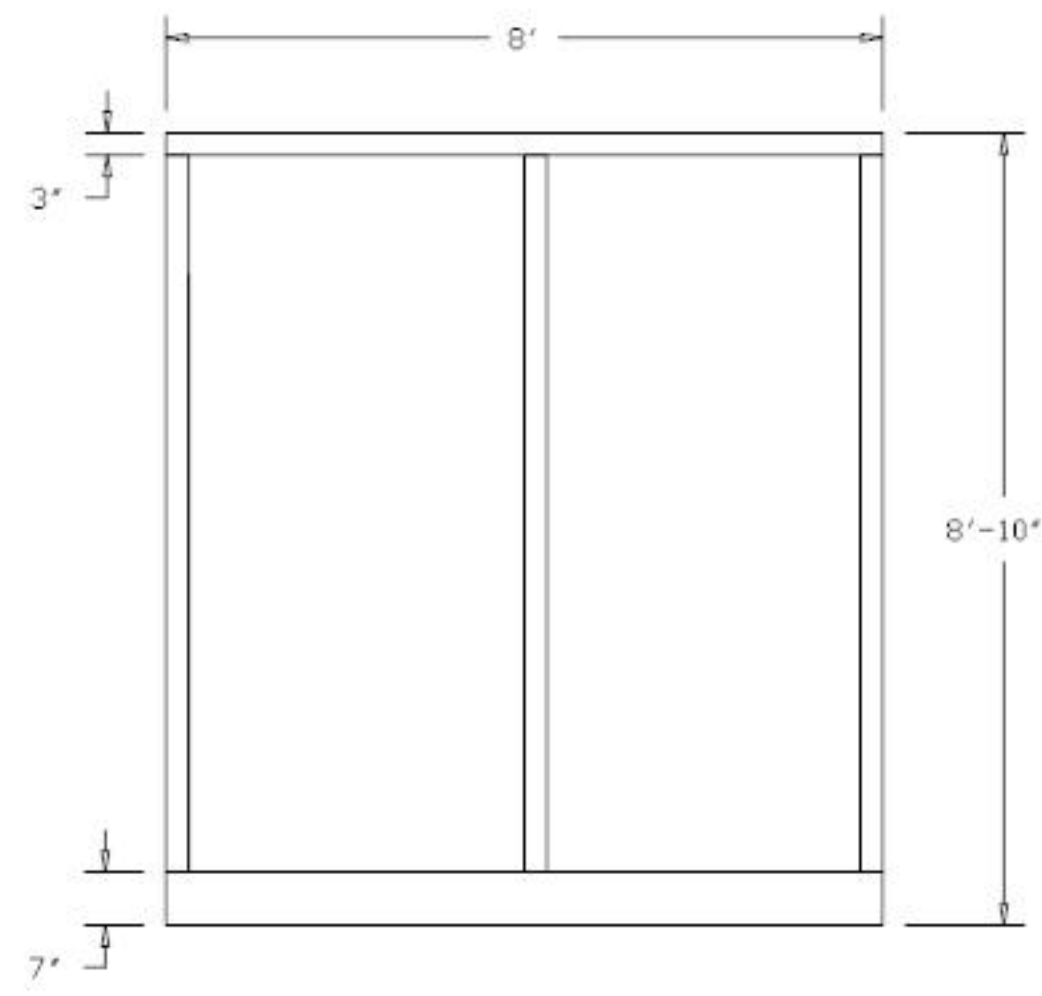
PLEASE MARK DESIRED LOCATION OF OPTIONS
 SHOWN IN LEGEND ON FLOOR PLAN
 PR3 8208

<u>DESCRIPTION</u>	<u>SYMBOL</u>	<u>DESIGNATION</u>
WINDOW PANEL =		W/P
SLIDING WINDOW PANEL =		SW/P
SOLID PANEL =		S/P
42" X 80" DOOR W/ 2' X 2' WINDOW		D/L





"A" ELEVATION




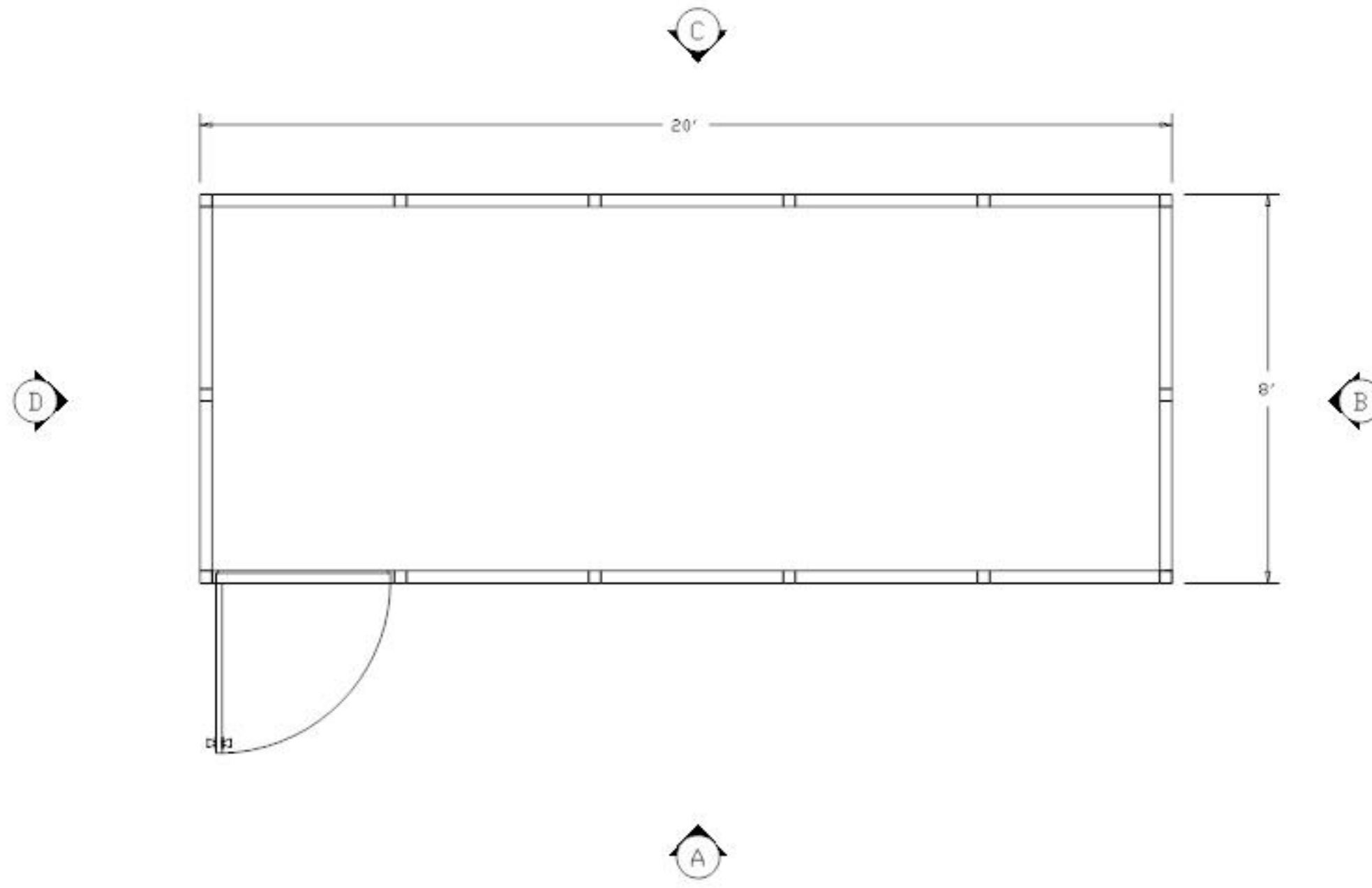
PR3 8208

"B" ELEVATION


PLEASE MARK DESIRED LOCATION OF OPTIONS
 SHOWN IN LEGEND ON FLOOR PLAN

PR3 8208

<u>DESCRIPTION</u>	<u>SYMBOL</u>	<u>DESIGNATION</u>
6" OR 12" ROOF OVER- HANG	= - - - - -	= □/H(SIZE)
TYP. 2' 2-TUBE SURFACE MOUNT LIGHT FIXTURE	= 	= L/F



PLEASE MARK DESIRED LOCATION OF OPTIONS
 SHOWN IN LEGEND ON FLOOR PLAN
 PR3 8208

<u>DESCRIPTION</u>	<u>SYMBOL</u>	<u>DESIGNATION</u>
120V DUPLEX OUTLET	= \emptyset	= \emptyset
LIGHT SWITCH	= \$	= \$
MAIN PANEL	= PNL	= PNL
TYP. 2' 2-TUBE SURFACE MOUNT LIGHT FIXTURE	= 	= L/F
THRU WALL HVAC UNIT	= HVAC	= HVAC

