

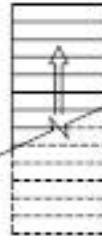

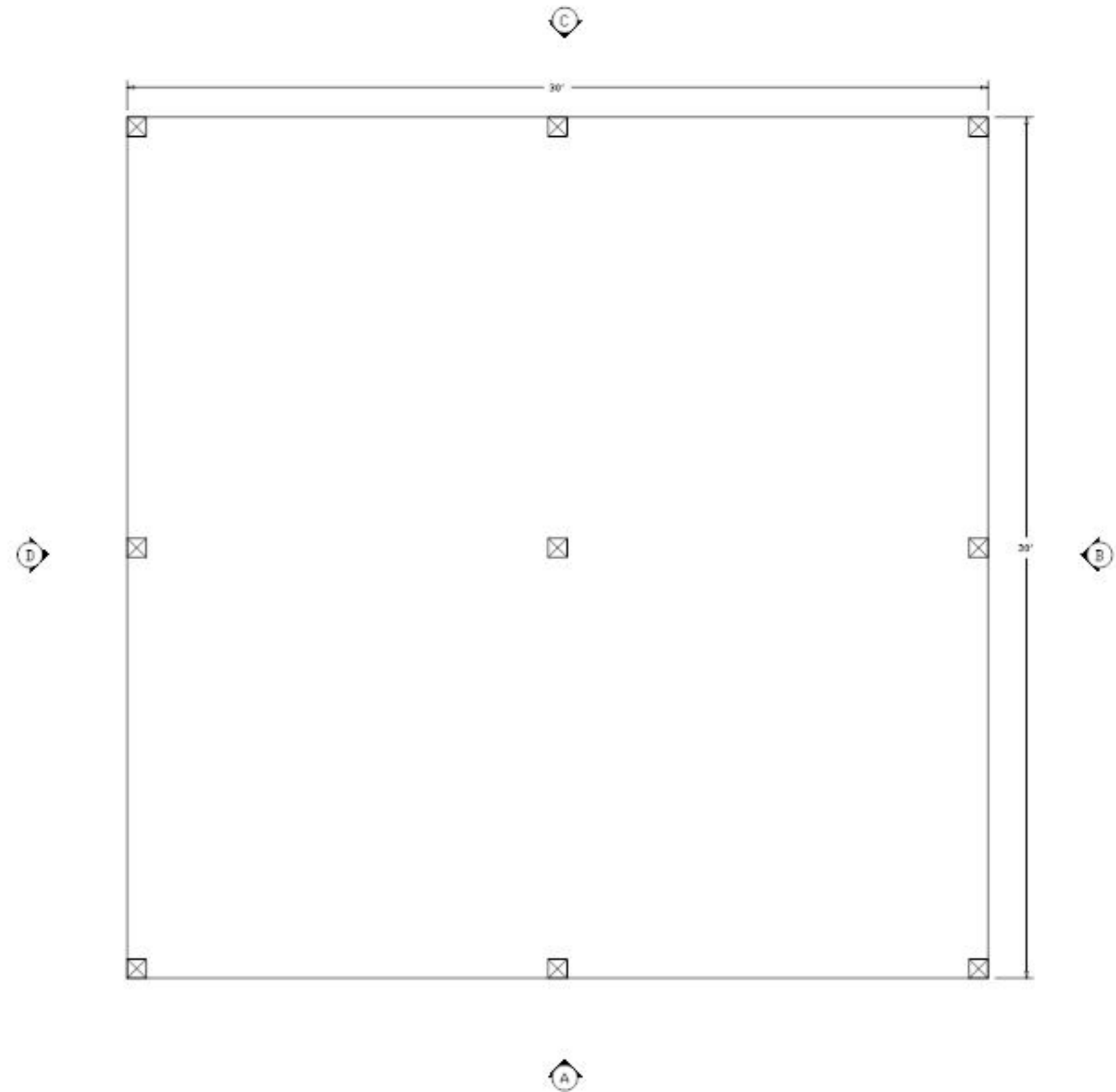
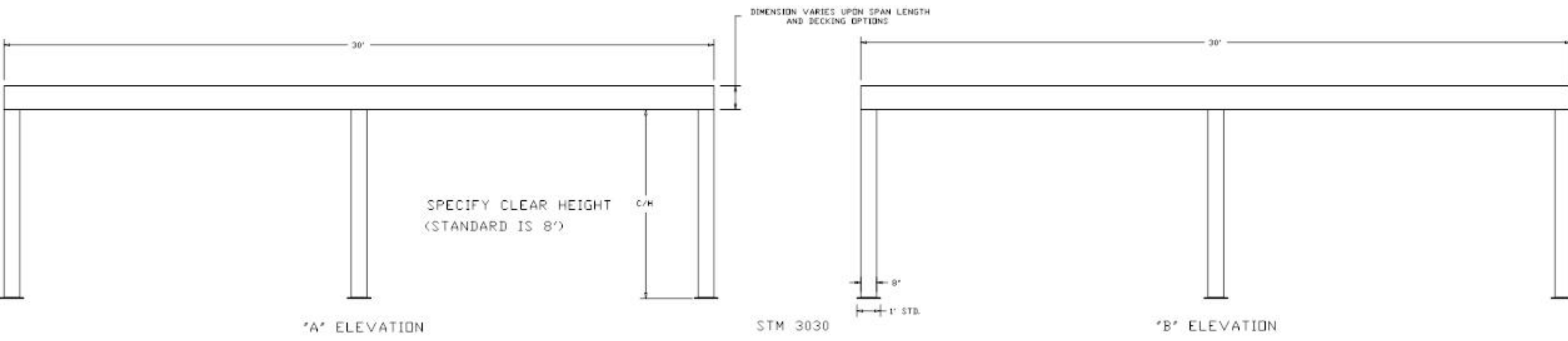


PLEASE MARK DESIRED LOCATION OF OPTIONS
 SHOWN IN LEGEND ON FLOOR PLAN
 STM 3030

DESCRIPTION	SYMBOL	DESIGNATION
SAFETY RAIL		S/R
SWING GATE 6'-0"		SW/G
STANDARD 3'-0" WIDE STAIR W/SAFETY RAILS		S/C
8" SQ. TUBE STEEL COLUMN		





PLEASE MARK DESIRED LOCATION OF OPTIONS
 SHOWN IN LEGEND ON FLOOR PLAN
 STM 3030

DESCRIPTION	SYMBOL	DESIGNATION
120V DUPLEX OUTLET	⊕	⊕
LIGHT SWITCH	⚡	⚡
MAIN PANEL	[PNI]	[PNI]
TYP. 1' X 4' SURFACE MOUNT LIGHT FIXTURE	[X]	SL/F
8" SQ. TUBE STEEL COLUMN	⊗	

