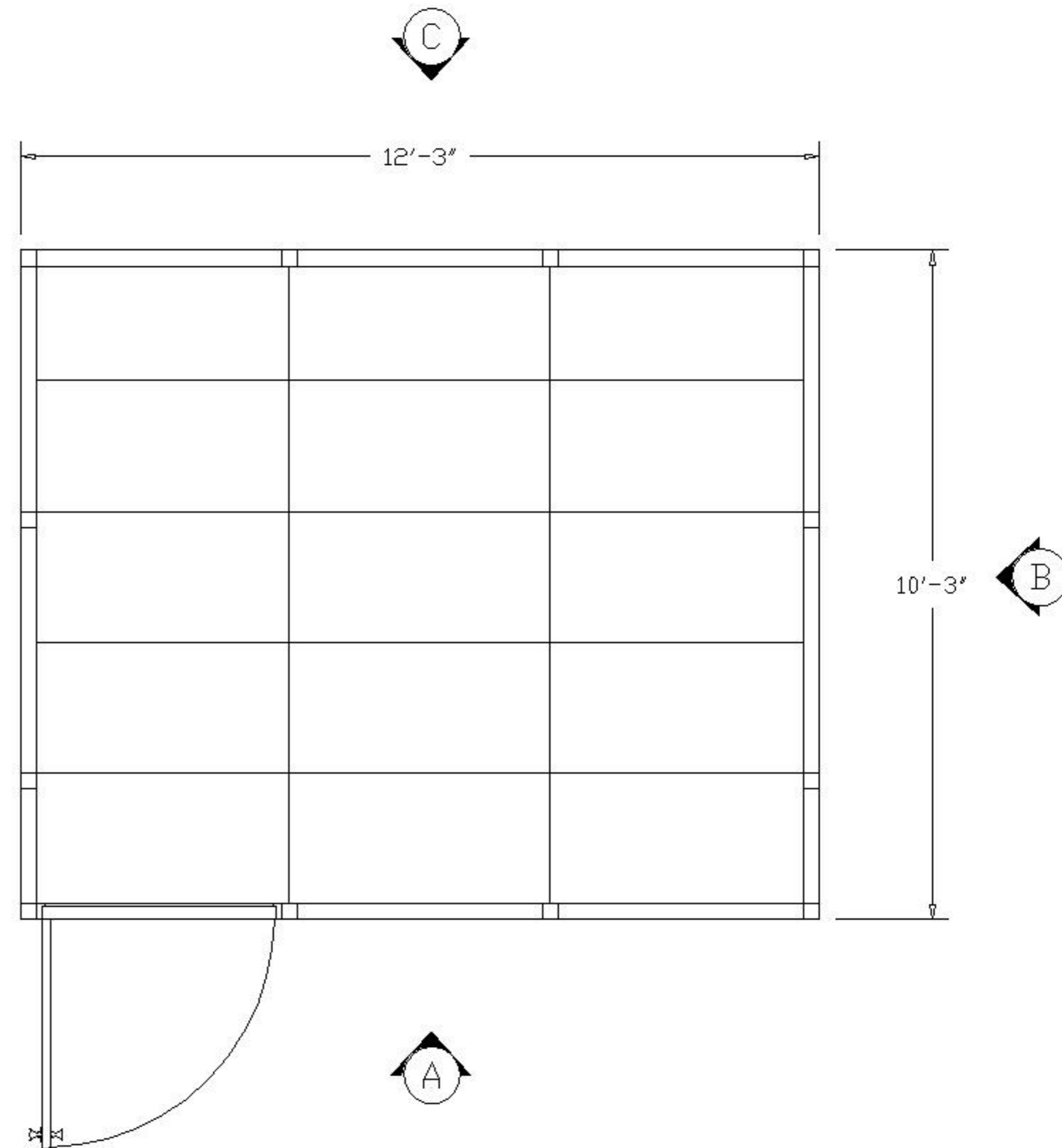
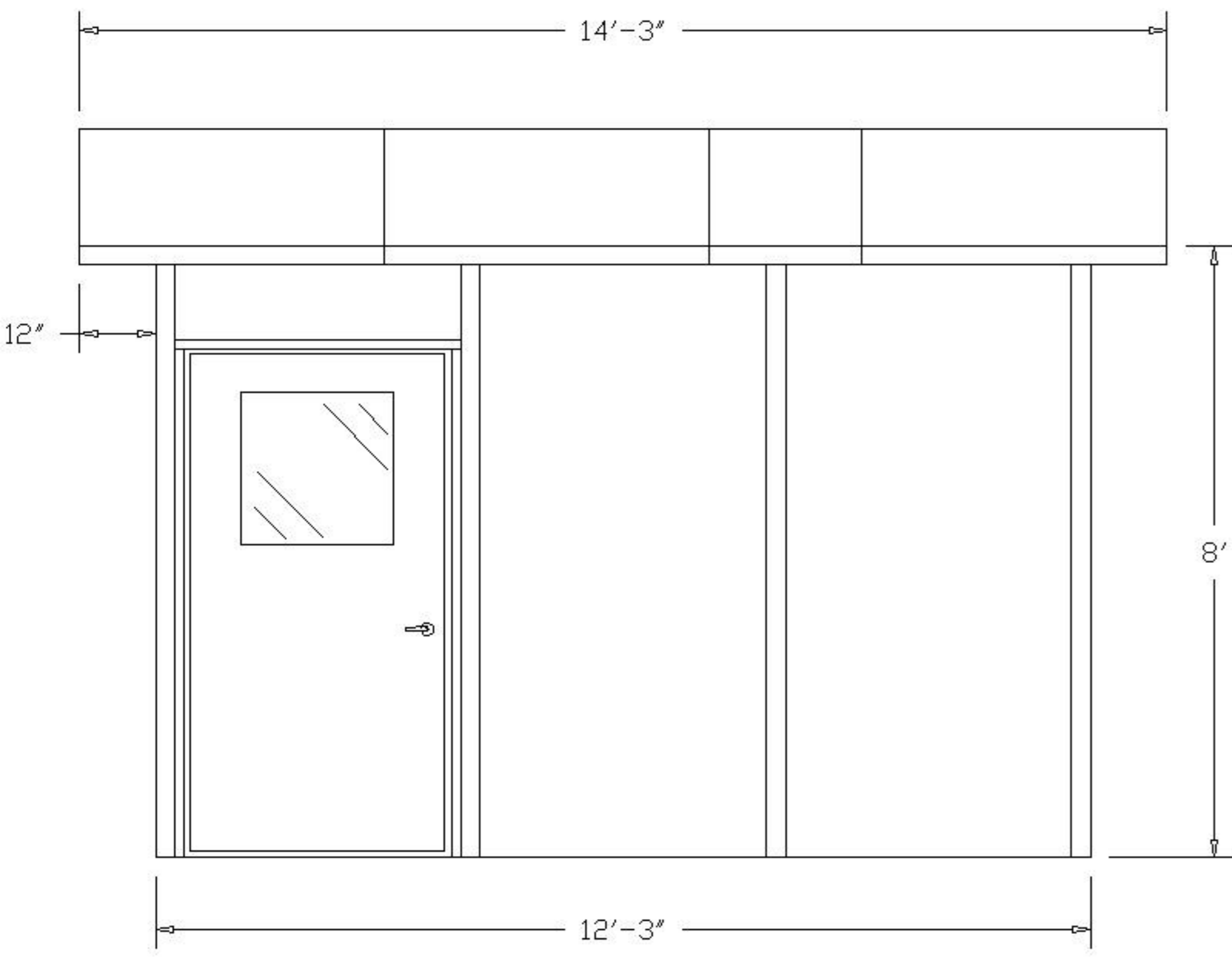


PLEASE MARK DESIRED LOCATION OF OPTIONS  
 SHOWN IN LEGEND ON FLOOR PLAN  
 EX3-10128

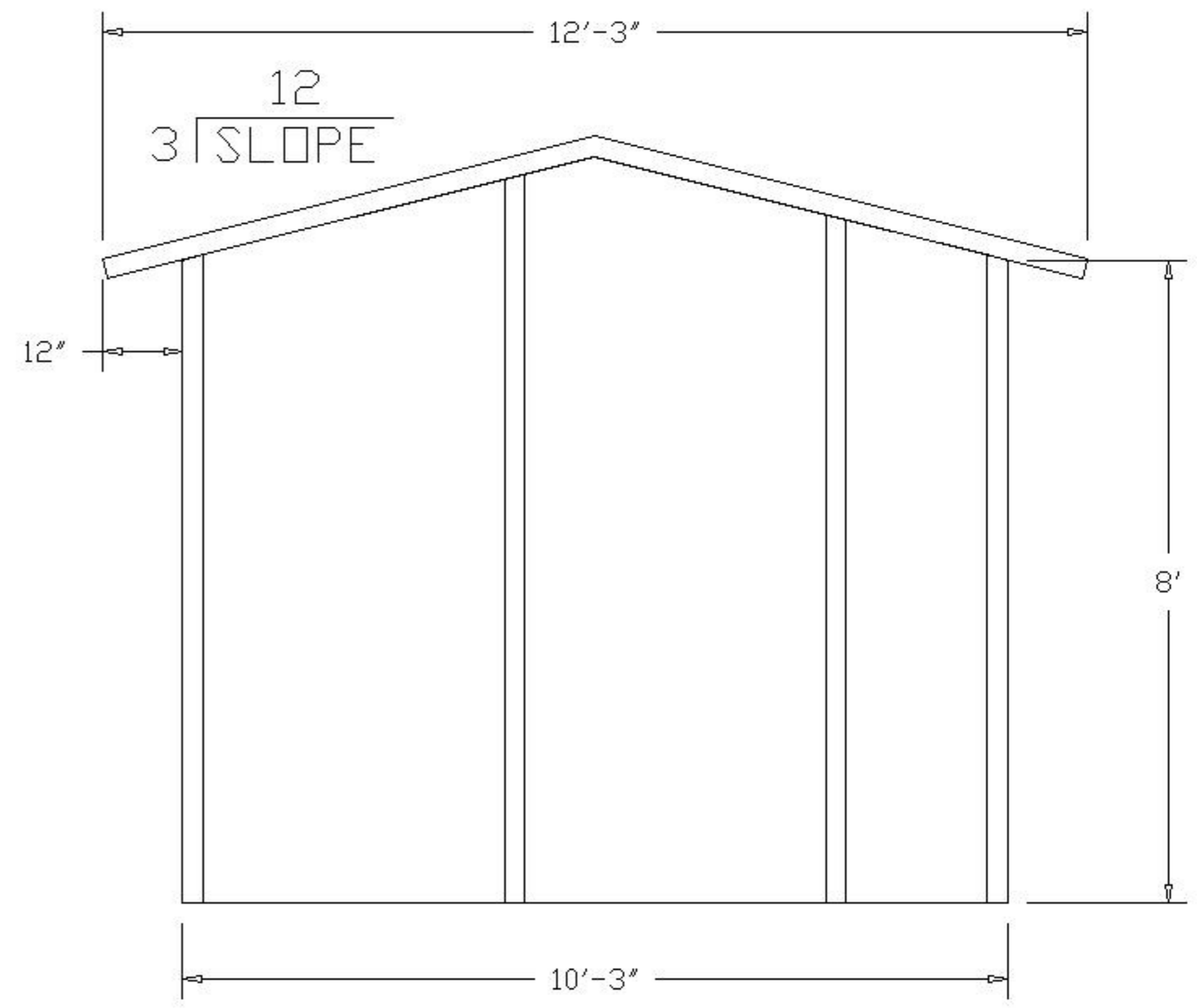
<u>DESCRIPTION</u>	<u>SYMBOL</u>	<u>DESIGNATION</u>
208V OUTLET =	⌀	⌀
TYP. EMERGENCY FLOOD LIGHTS =		E/L
120V DUPLEX OUTLET =	⌀	⌀
LIGHT SWITCH =	\$	\$
MAIN PANEL =		
TYP. 2' X 4' LAY IN 4 TUBE LIGHT FIXTURE =		L/F
THRU WALL HVAC UNIT =		





"A" ELEVATION

EX3-10128

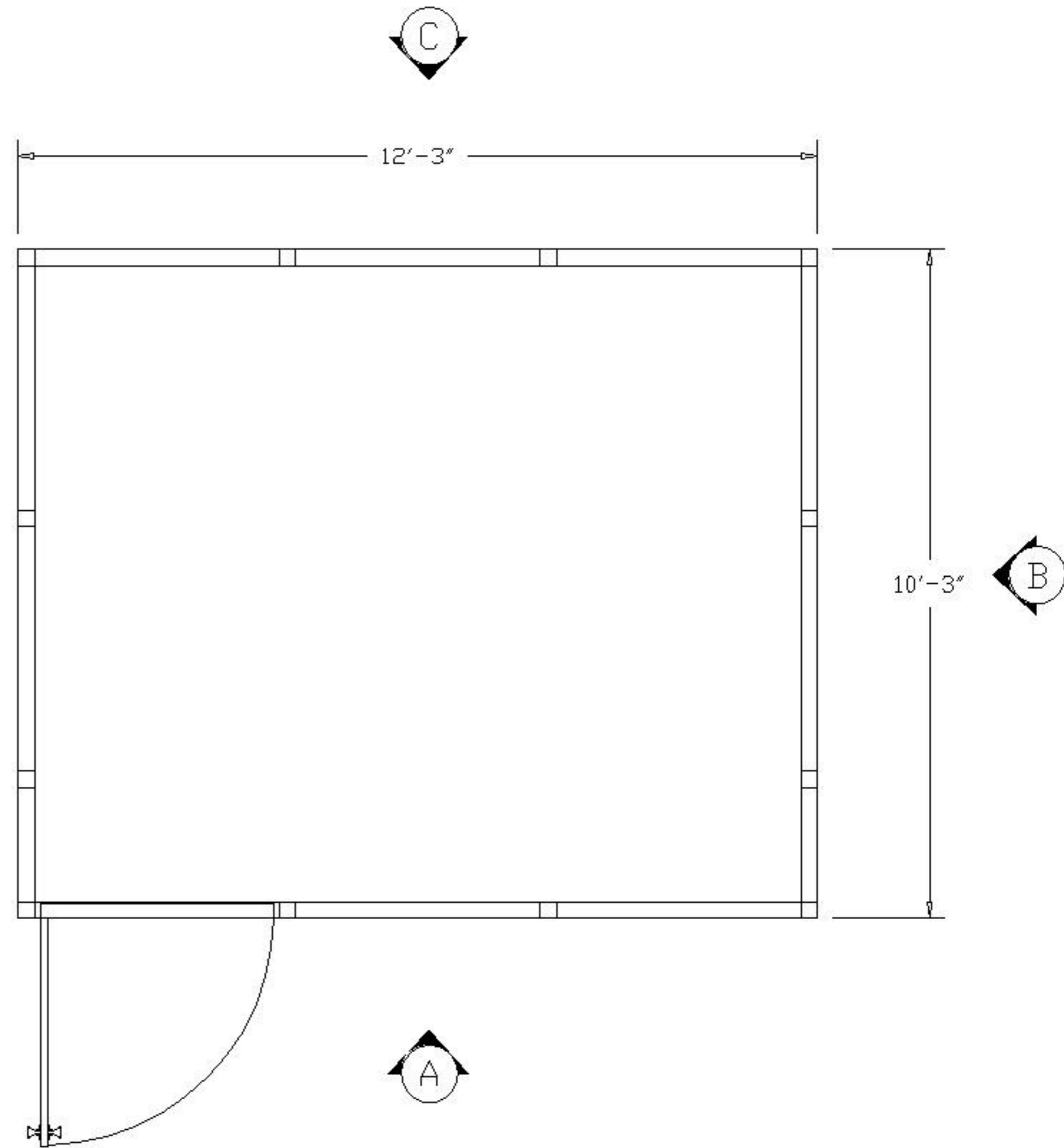


"B" ELEVATION

PLEASE MARK DESIRED LOCATION OF OPTIONS  
 SHOWN IN LEGEND ON FLOOR PLAN

EX3-10128

<u>DESCRIPTION</u>	<u>SYMBOL</u>	<u>DESIGNATION</u>
WINDOW PANEL		W/P
SLIDING WINDOW PANEL		SW/P
SOLID PANEL		S/P
42" X 80" DOOR W/ 2' X 2' WINDOW		D/L
DOUBLE DOOR W/ 2' X 2' WINDOW		DD/L



PLEASE MARK DESIRED LOCATION OF OPTIONS  
 SHOWN IN LEGEND ON FLOOR PLAN

EX3-10128

DESCRIPTION

SYMBOL

DESIGNATION

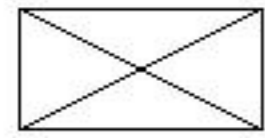
TYP. 2'X4'x5/8"  
 MINERAL BOARD =  
 CEILING TILE



=

C/T

TYP. 2' X 4'  
 LAY IN 4 TUBE =  
 LIGHT FIXTURE



=

L/F

