
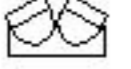


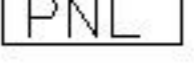
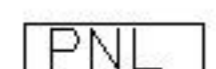

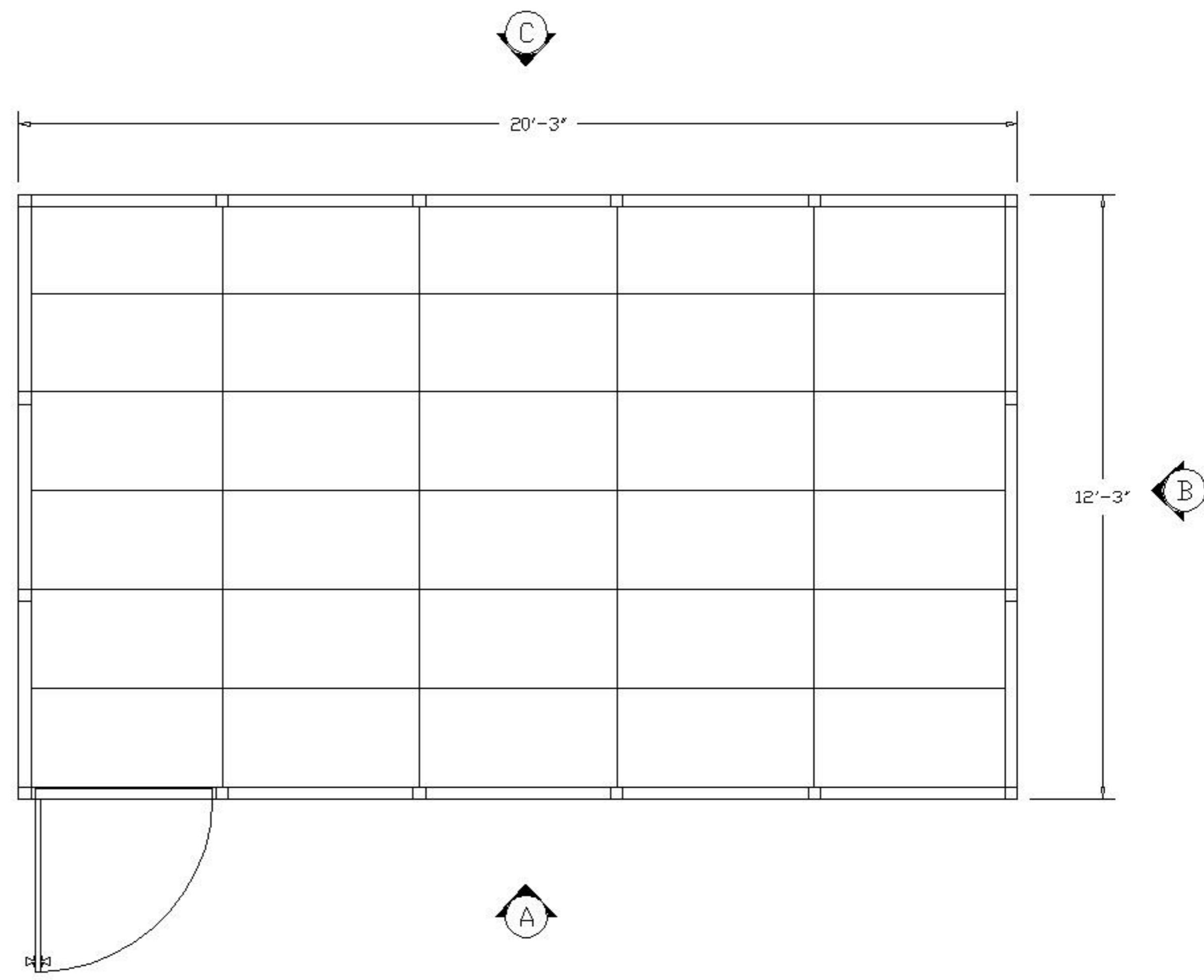
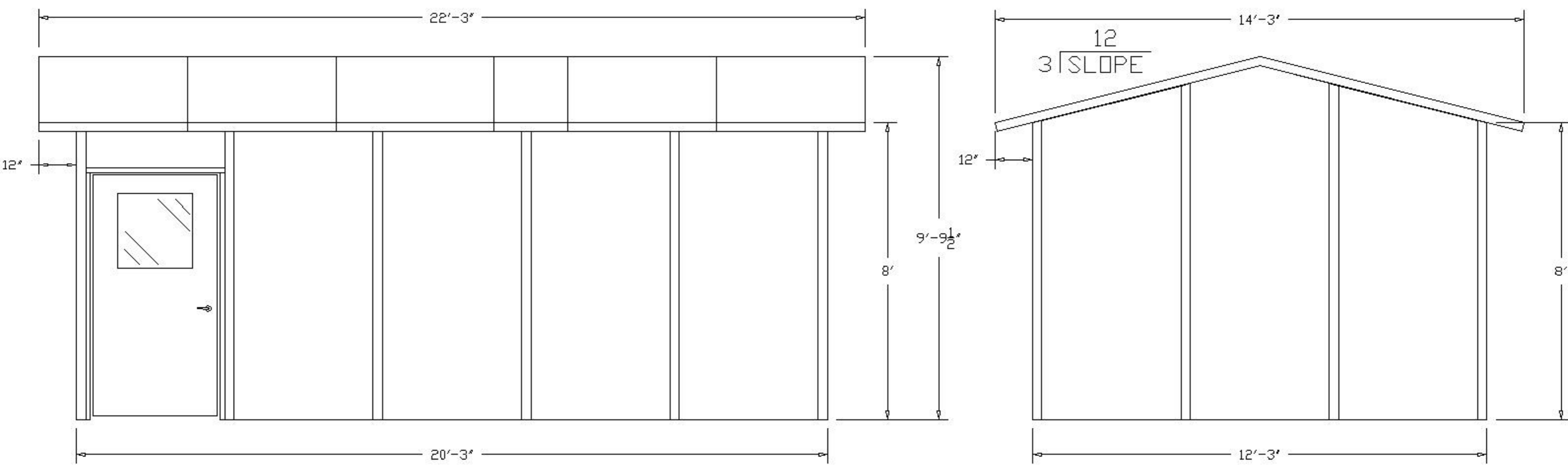


PLEASE MARK DESIRED LOCATION OF OPTIONS
 SHOWN IN LEGEND ON FLOOR PLAN
 EX3-12208

| DESCRIPTION | SYMBOL | DESIGNATION |
|--|---|-------------|
| 208V OUTLET = |  | Φ |
| TYP. EMERGENCY FLOOD LIGHTS = |  | E/L |
| 120V DUPLEX OUTLET = |  | Φ |
| LIGHT SWITCH = |  | \$ |
| MAIN PANEL = |  | PNL |
| TYP. 2' X 4' LAY IN 4 TUBE LIGHT FIXTURE = |  | L/F |
| THRU WALL HVAC UNIT = |  | HVAC |





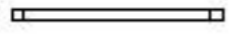
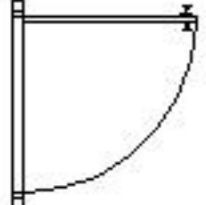
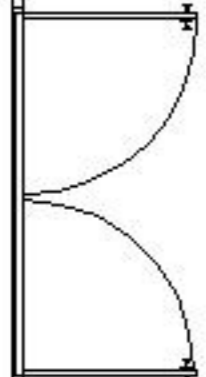


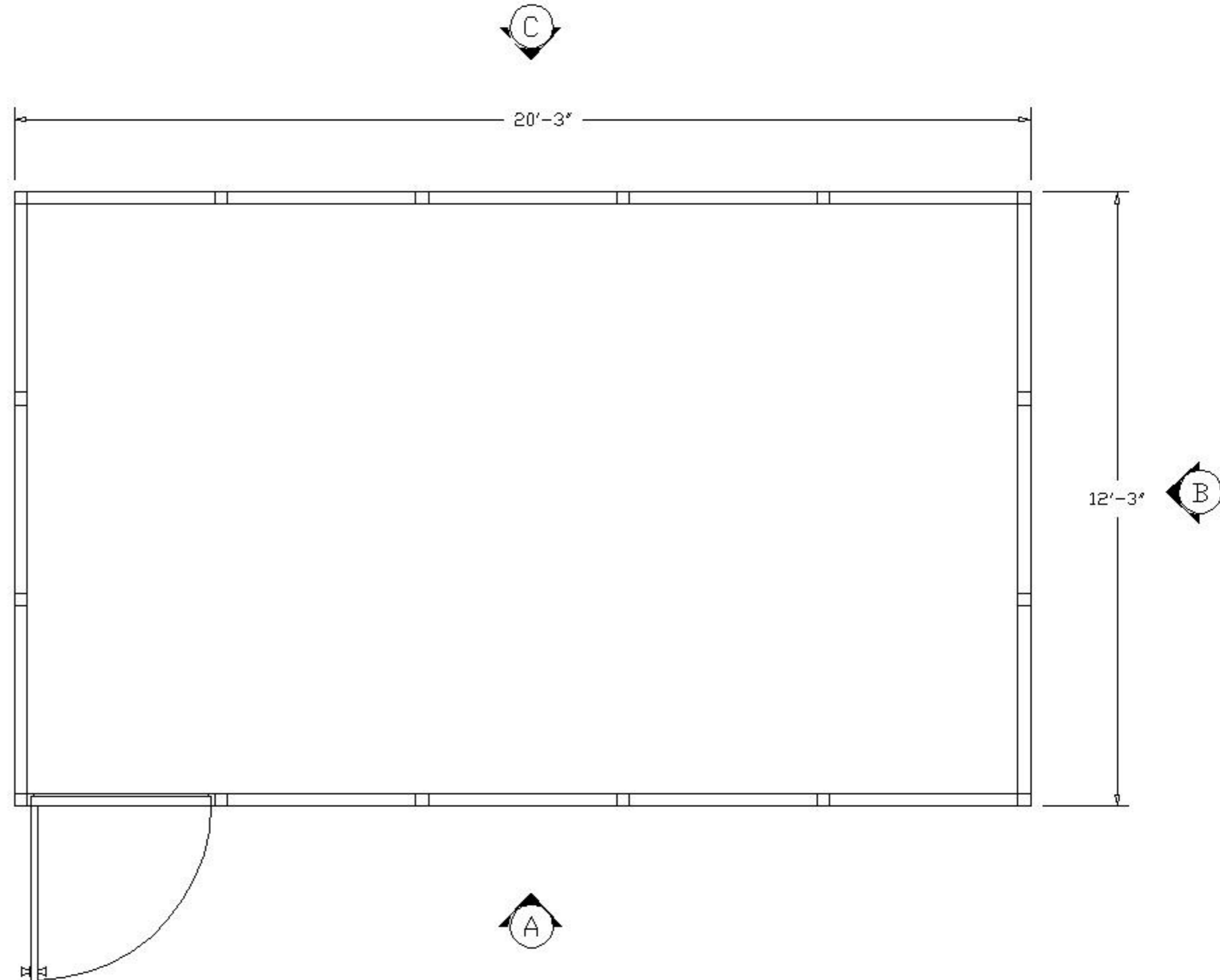
"A" ELEVATION

EX3-12208

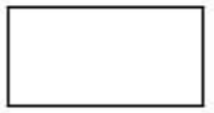
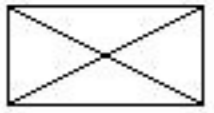
"B" ELEVATION

PLEASE MARK DESIRED LOCATION OF OPTIONS
 SHOWN IN LEGEND ON FLOOR PLAN
 EX3-12208

| <u>DESCRIPTION</u> | <u>SYMBOL</u> | <u>DESIGNATION</u> |
|--|---|--------------------|
| WINDOW PANEL = |  | = W/P |
| SLIDING WINDOW PANEL = |  | = SW/P |
| SOLID PANEL = |  | = S/P |
| 42" X 80" DOOR W/ 2' X 2' WINDOW = |  | = D/L |
| DOUBLE DOOR W/ 2' X 2' WINDOW = |  | = DD/L |



PLEASE MARK DESIRED LOCATION OF OPTIONS
 SHOWN IN LEGEND ON FLOOR PLAN
 EX3-12208

| <u>DESCRIPTION</u> | <u>SYMBOL</u> | <u>DESIGNATION</u> |
|--|---|--------------------|
| TYP. 2'X4'x5/8" MINERAL BOARD = CEILING TILE |  | = C/T |
| TYP. 2' X 4' LAY IN 4 TUBE = LIGHT FIXTURE |  | = L/F |

