


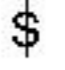

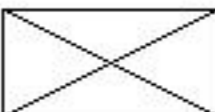

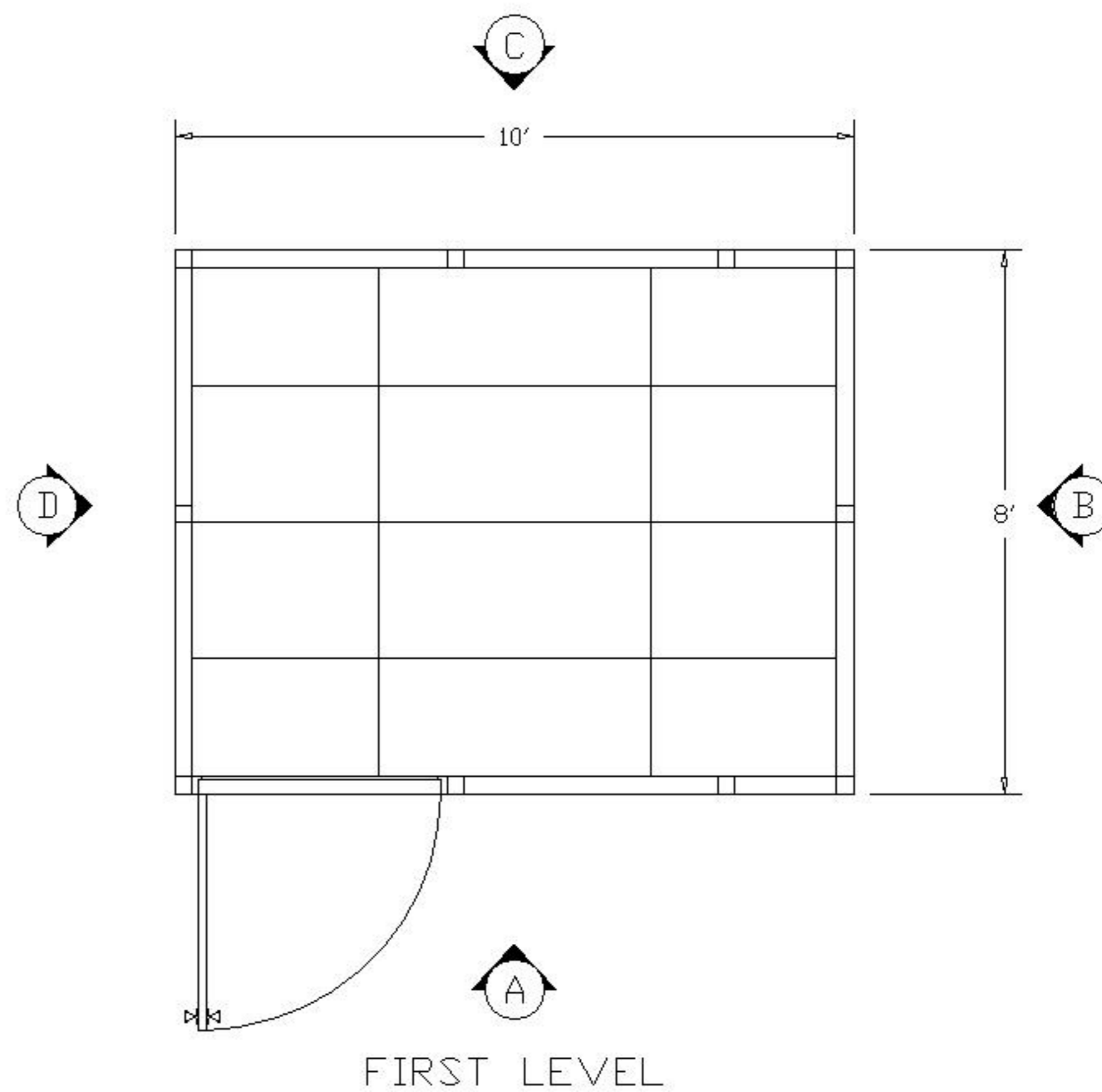
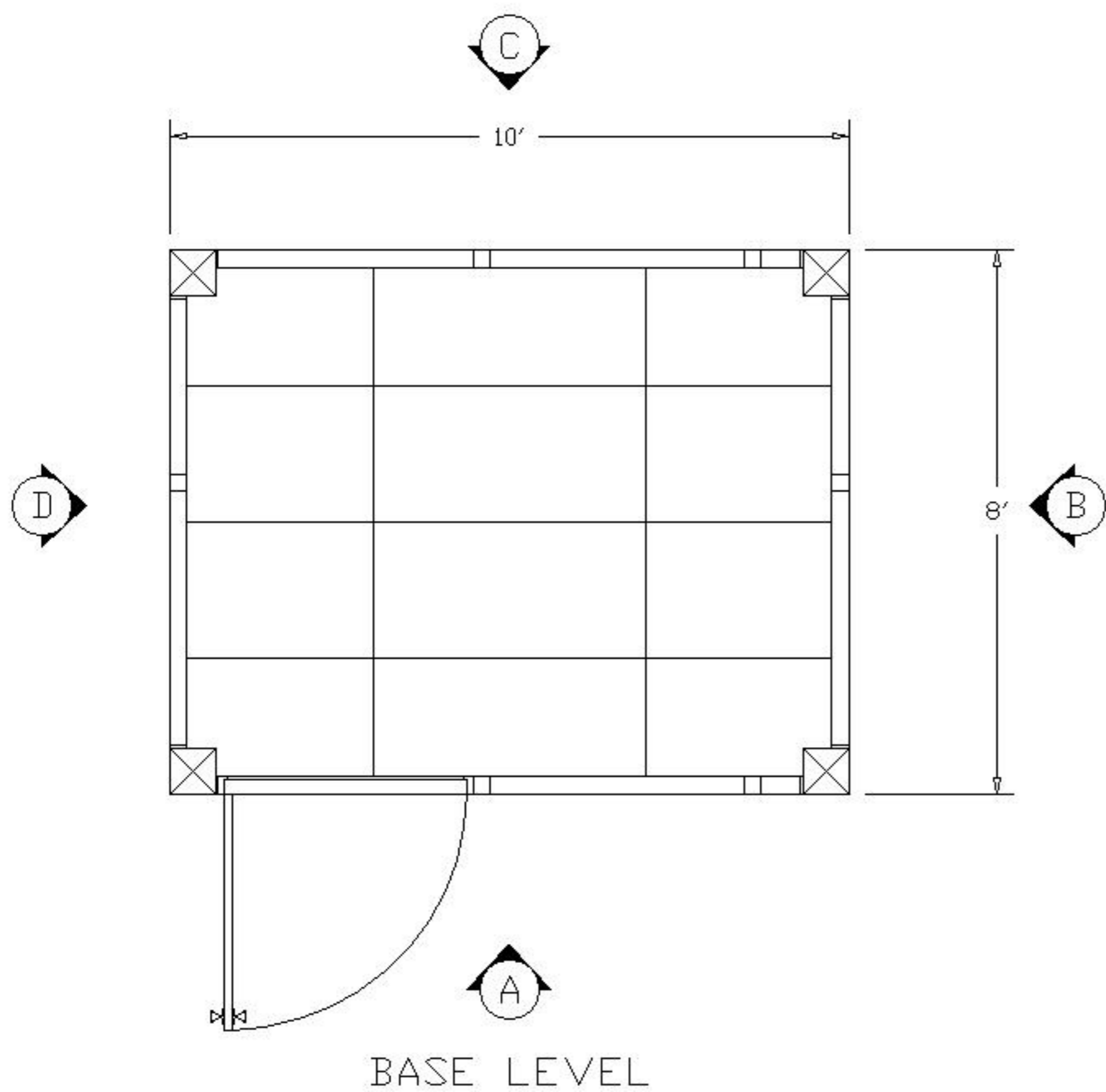
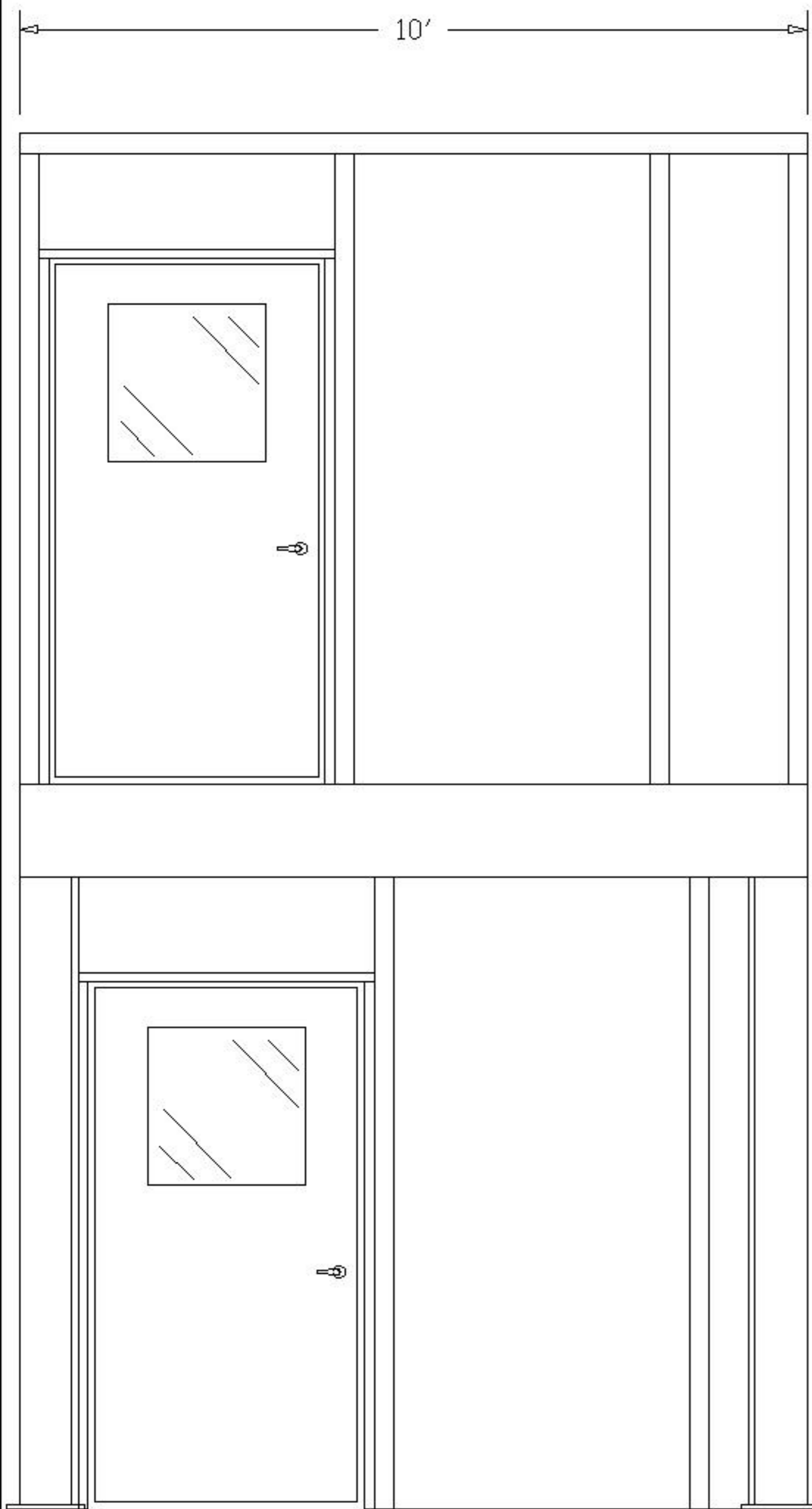


PLEASE MARK DESIRED LOCATION OF OPTIONS
 SHOWN IN LEGEND ON FLOOR PLAN
 IP3-2L-8108

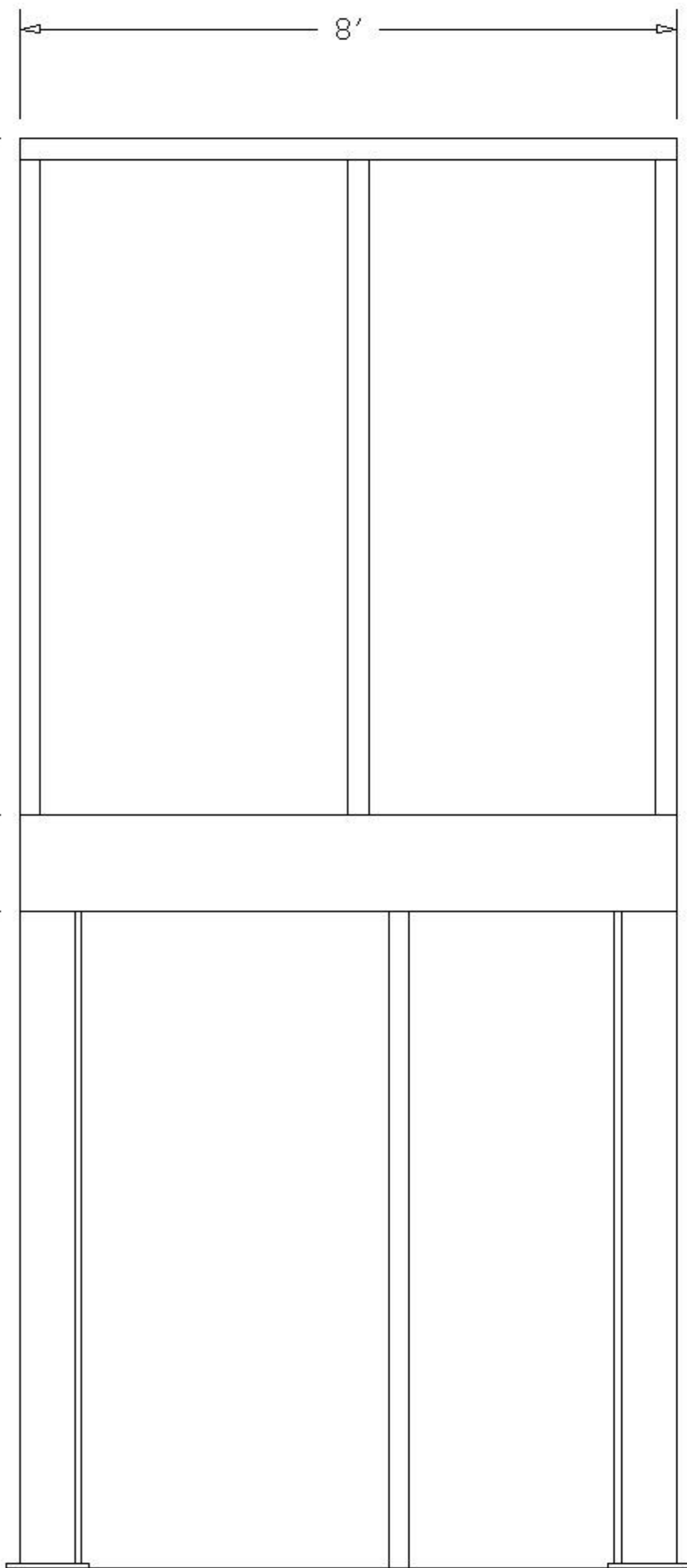
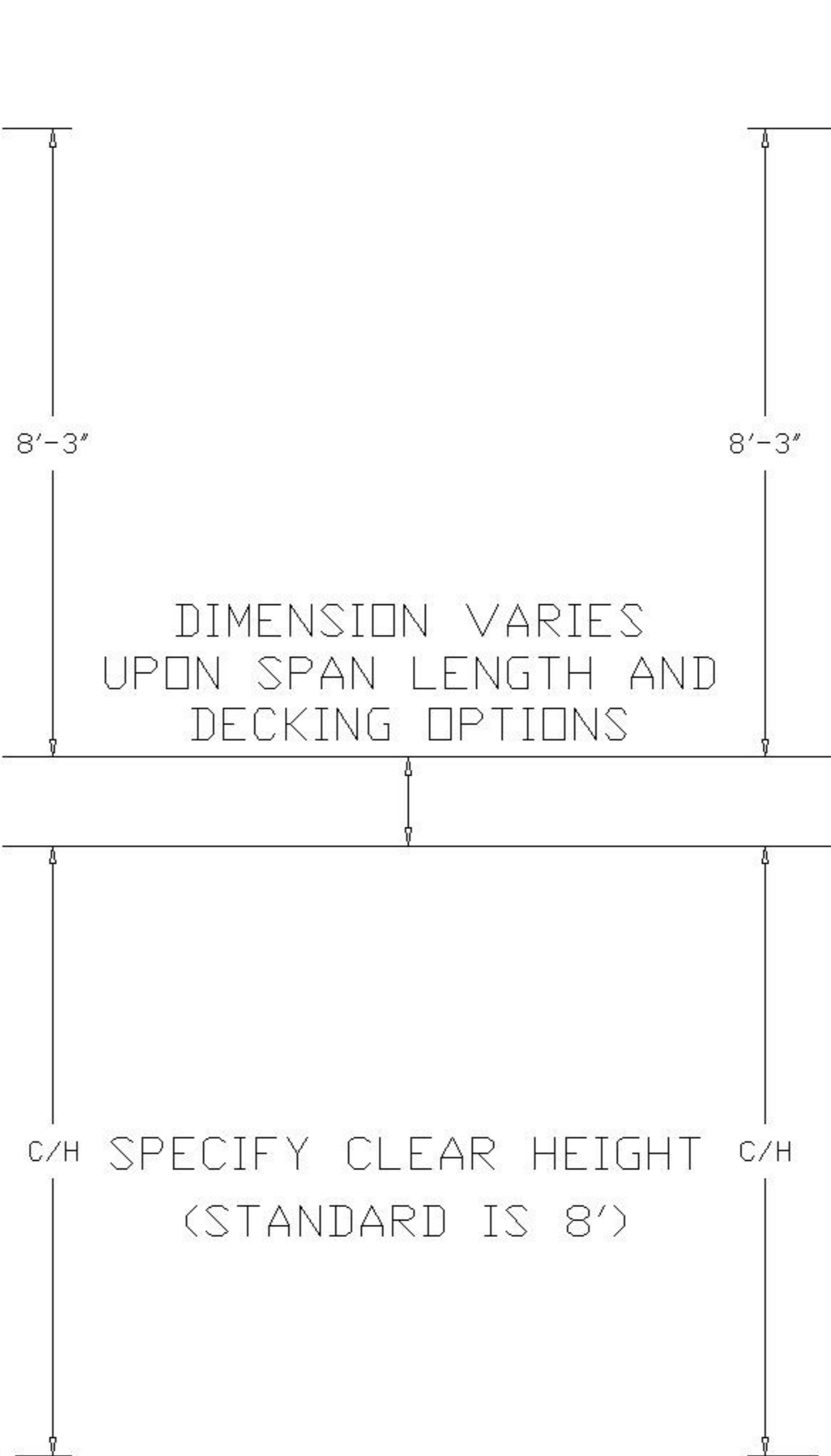
8" SQ. TUBE
 STEEL COLUMN = 

DESCRIPTION	SYMBOL	DESIGNATION
208V OUTLET =		#
TYP. EMERGENCY FLOOD LIGHTS =		E/L
120V DUPLEX OUTLET =		#
LIGHT SWITCH =		\$
MAIN PANEL =		PNL
TYP. 2' X 4' LAY IN 4 TUBE LIGHT FIXTURE =		L/F
THRU WALL HVAC UNIT =		HVAC





"A" ELEVATION




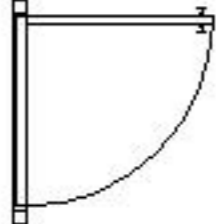
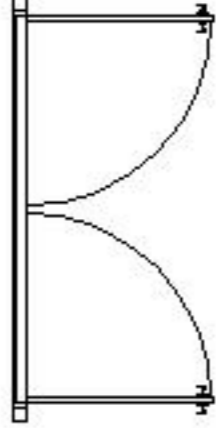


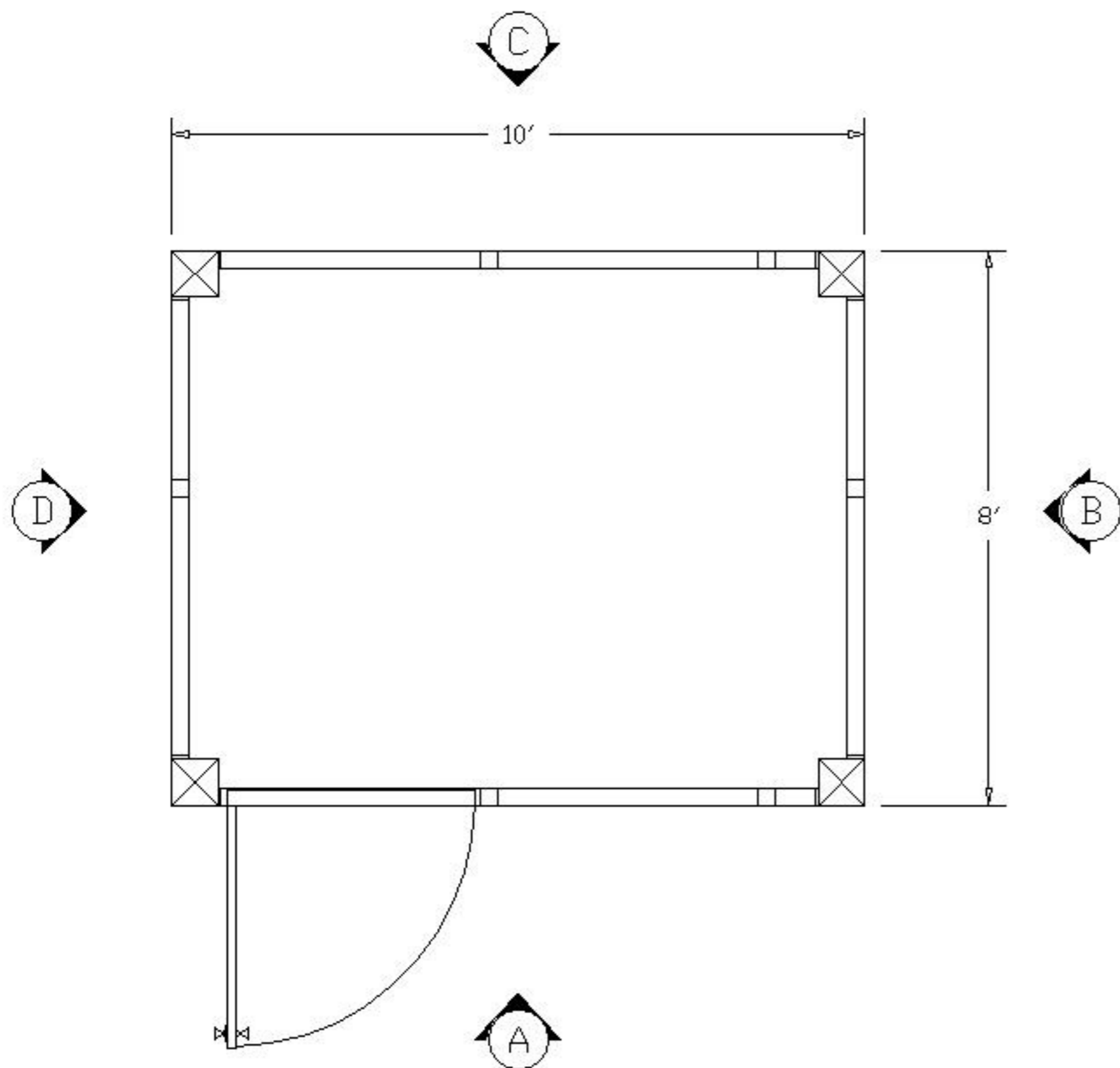
"B" ELEVATION

IP3-2L-8108

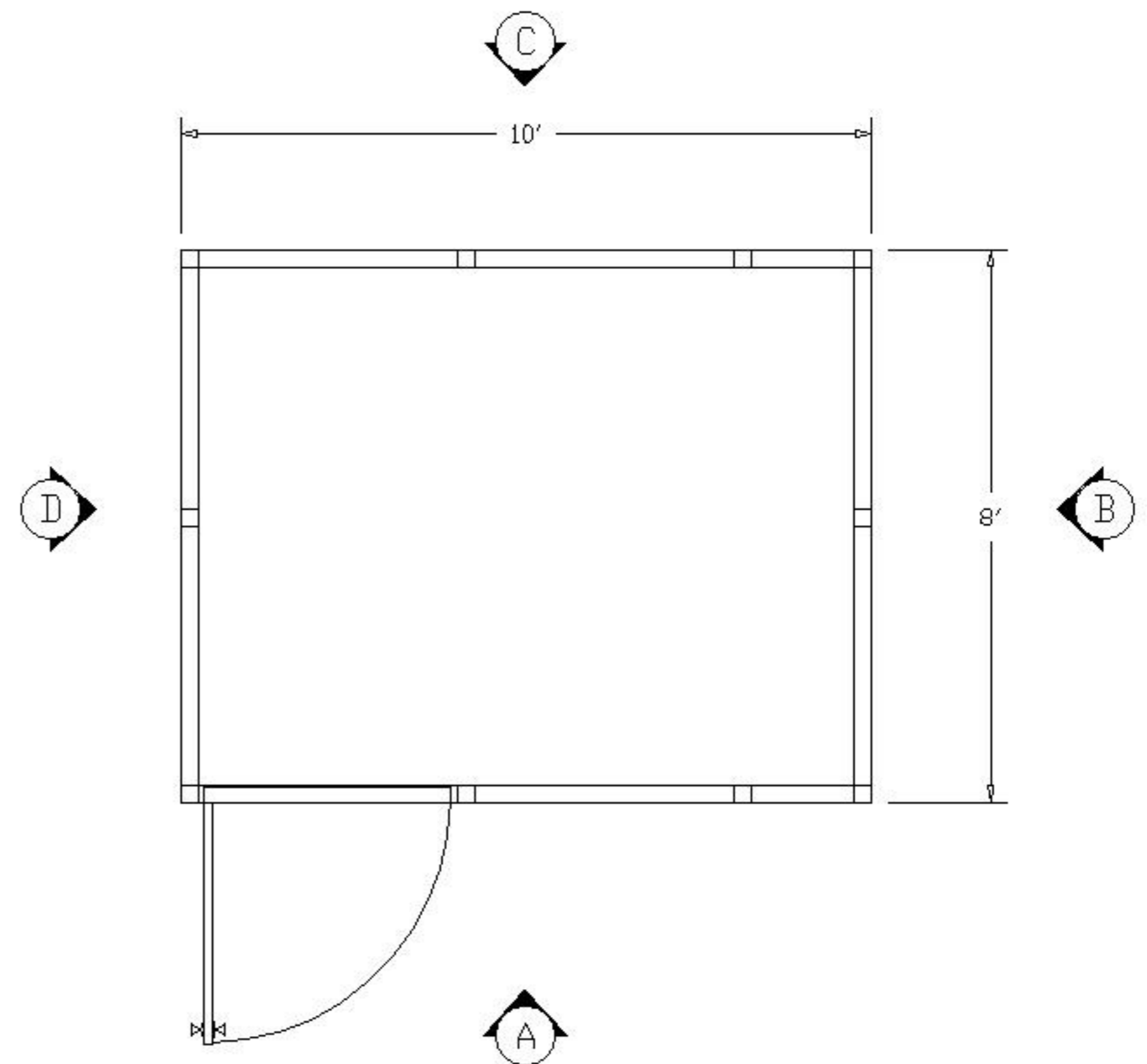
PLEASE MARK DESIRED LOCATION OF OPTIONS
 SHOWN IN LEGEND ON FLOOR PLAN
 IP3-2L-8108

8" SQ. TUBE
 STEEL COLUMN = 

DESCRIPTION	SYMBOL	DESIGNATION
WINDOW PANEL		W/P
SLIDING WINDOW PANEL		SW/P
SOLID PANEL		S/P
42" X 80" DOOR W/ 2' X 2' WINDOW		D/L
DOUBLE DOOR W/ 2' X 2' WINDOW		DD/L



BASE LEVEL



FIRST LEVEL

PLEASE MARK DESIRED LOCATION OF OPTIONS
 SHOWN IN LEGEND ON FLOOR PLAN
 IP3-2L-8108

8" SQ. TUBE
 STEEL COLUMN = 

DESCRIPTION

SYMBOL

DESIGNATION

TYP. 2'X4'x5/8"
 MINERAL BOARD =  = C/T
 CEILING TILE

TYP. 2' X 4'
 LAY IN 4 TUBE
 LIGHT FIXTURE =  = L/F

