




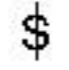
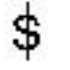





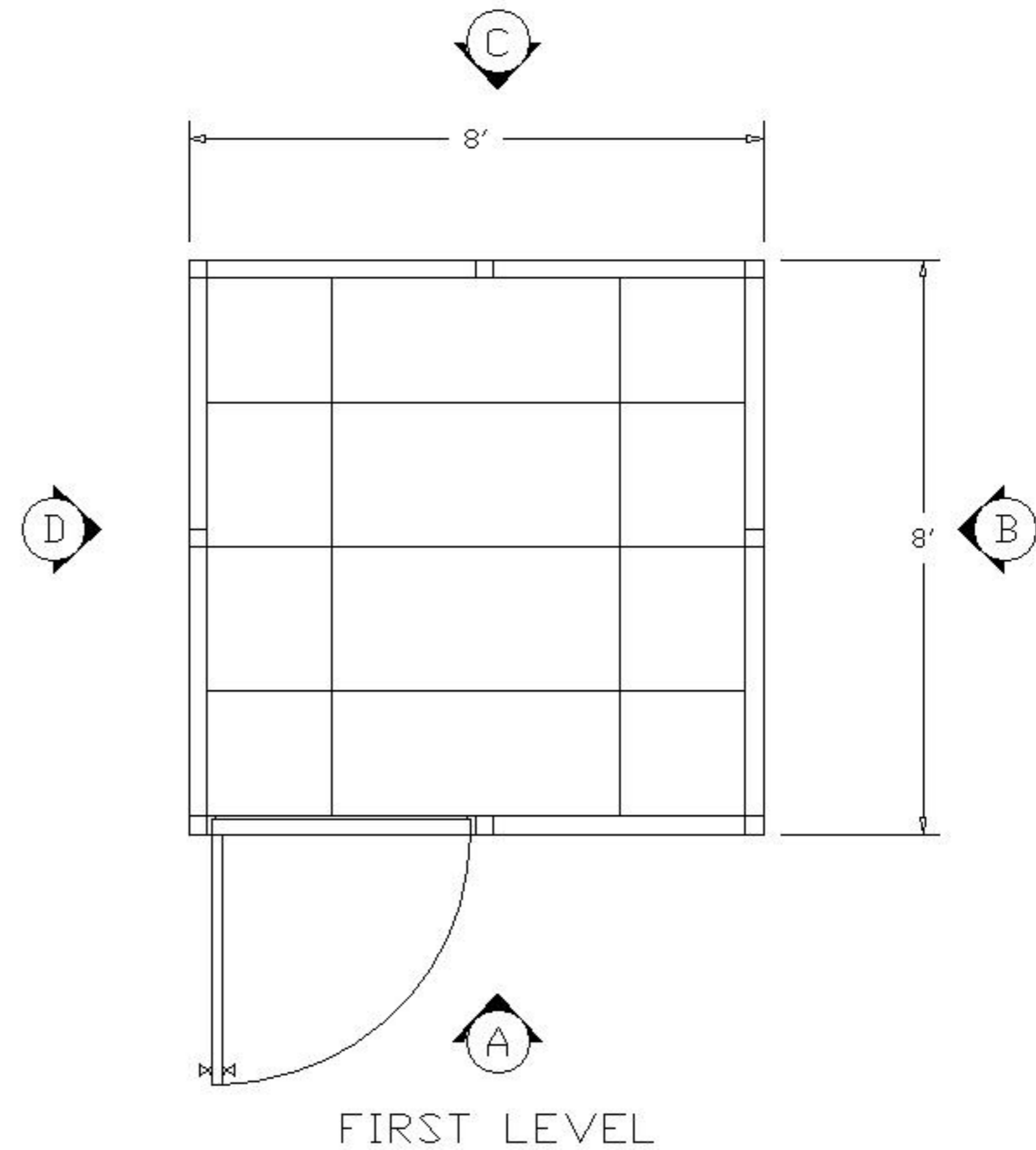
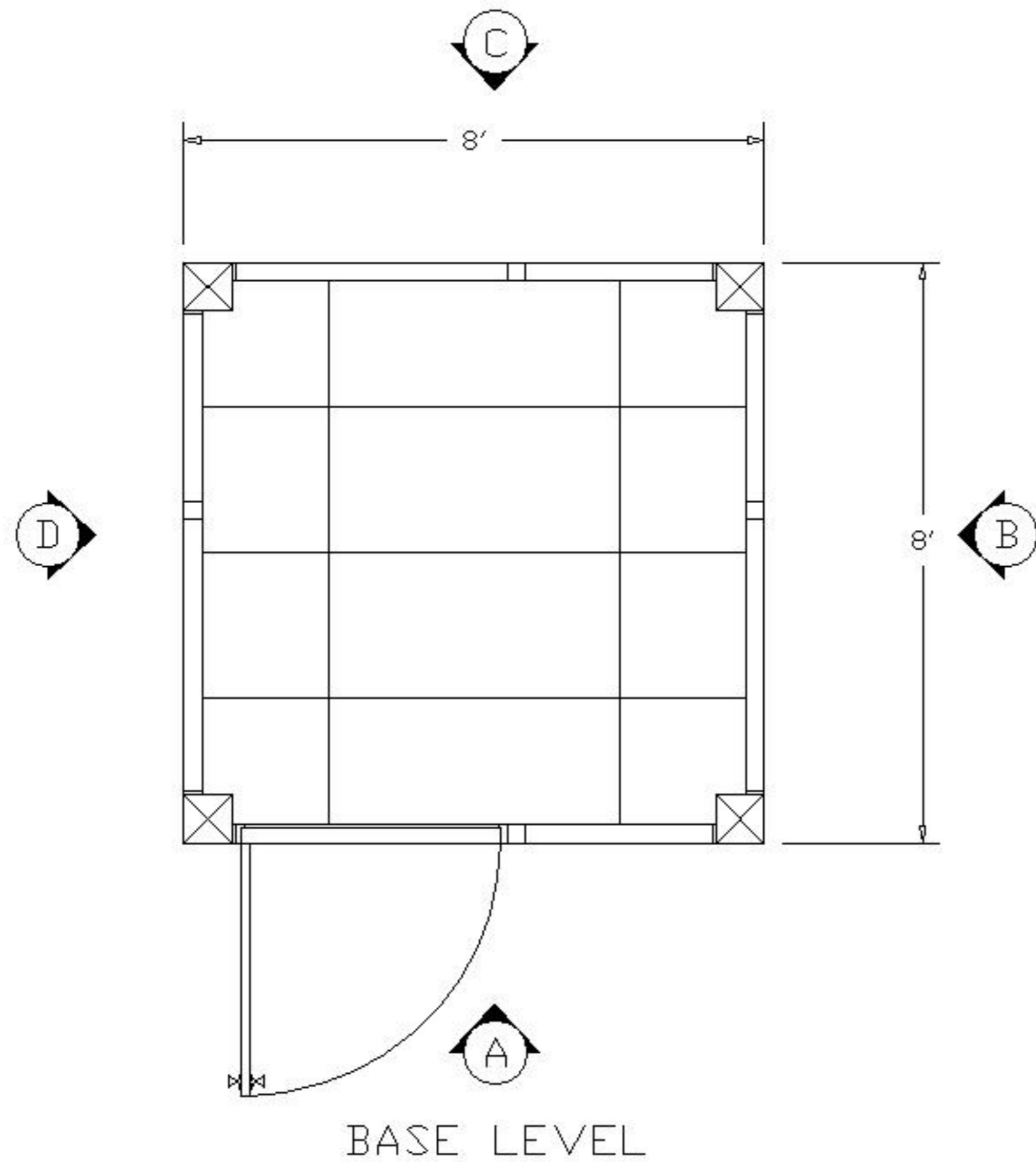
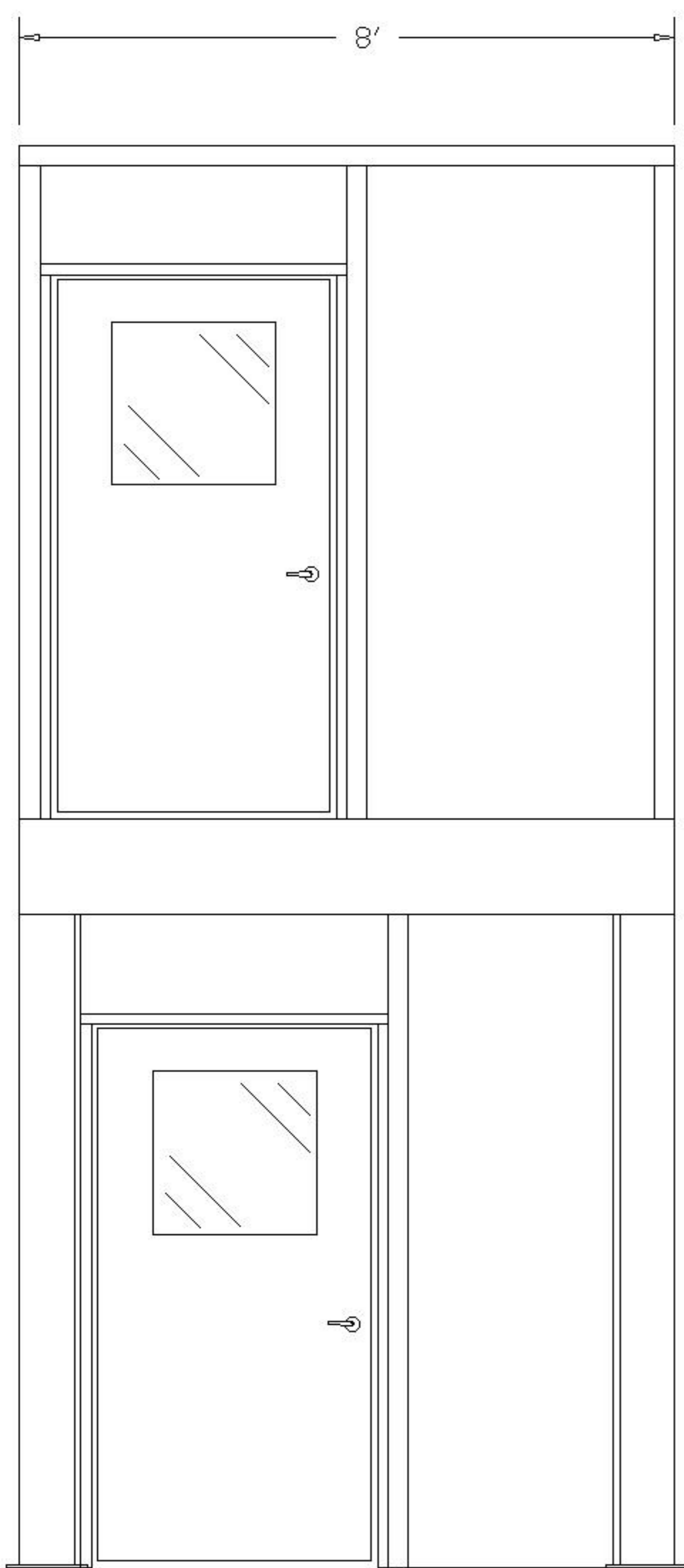


PLEASE MARK DESIRED LOCATION OF OPTIONS
 SHOWN IN LEGEND ON FLOOR PLAN
 IP3-2L-888

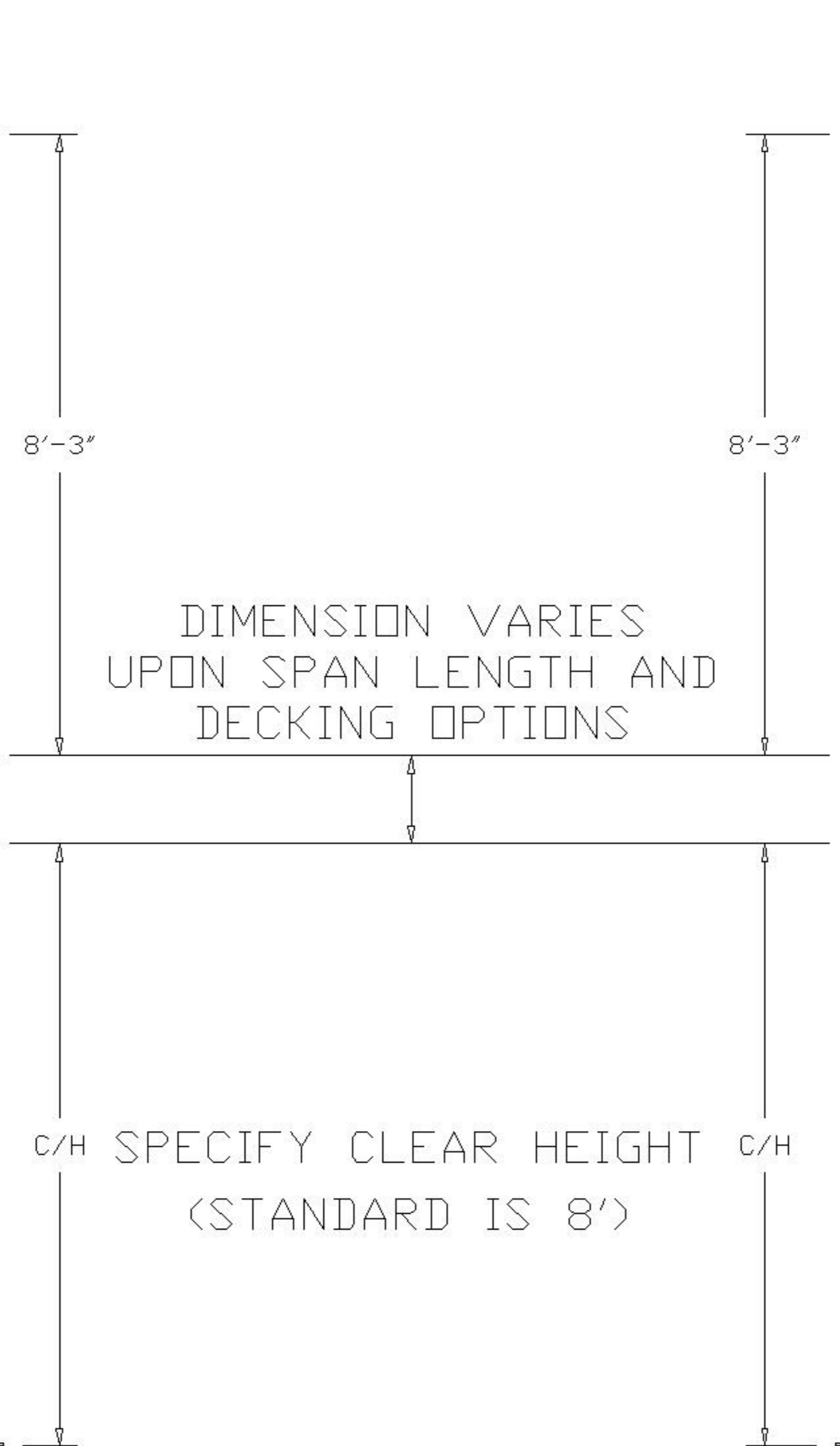
8" SQ. TUBE
 STEEL COLUMN = 

DESCRIPTION	SYMBOL	DESIGNATION
208V OUTLET		
TYP. EMERGENCY FLOOD LIGHTS		E/L
120V DUPLEX OUTLET		
LIGHT SWITCH		
MAIN PANEL		
TYP. 2' X 4' LAY IN 4 TUBE LIGHT FIXTURE		L/F
THRU WALL HVAC UNIT		

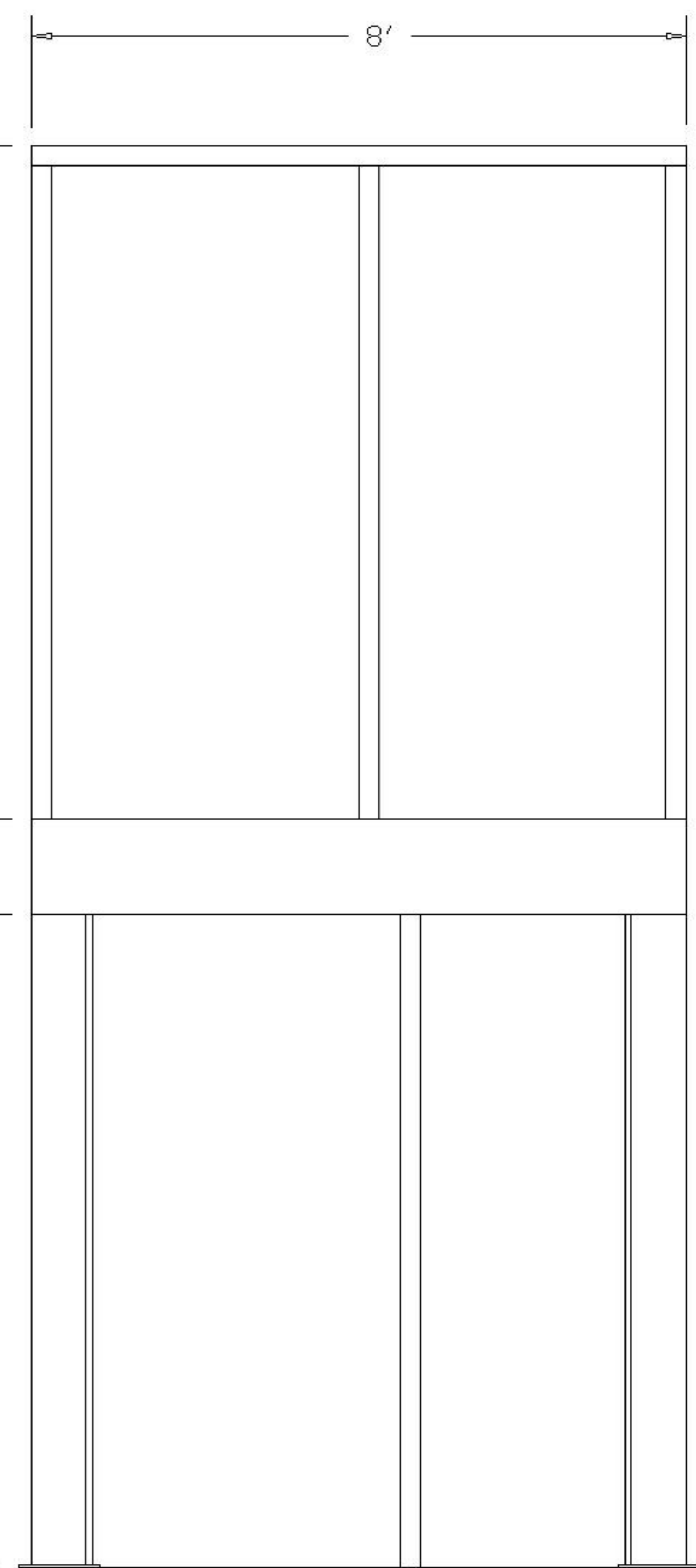




"A" ELEVATION




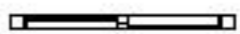

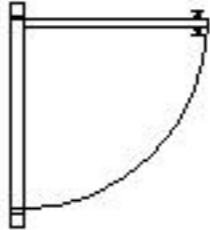
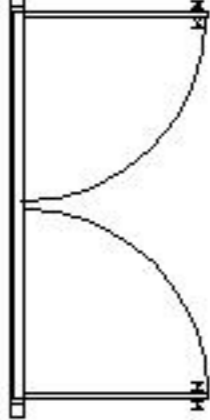
IP3-2L-888

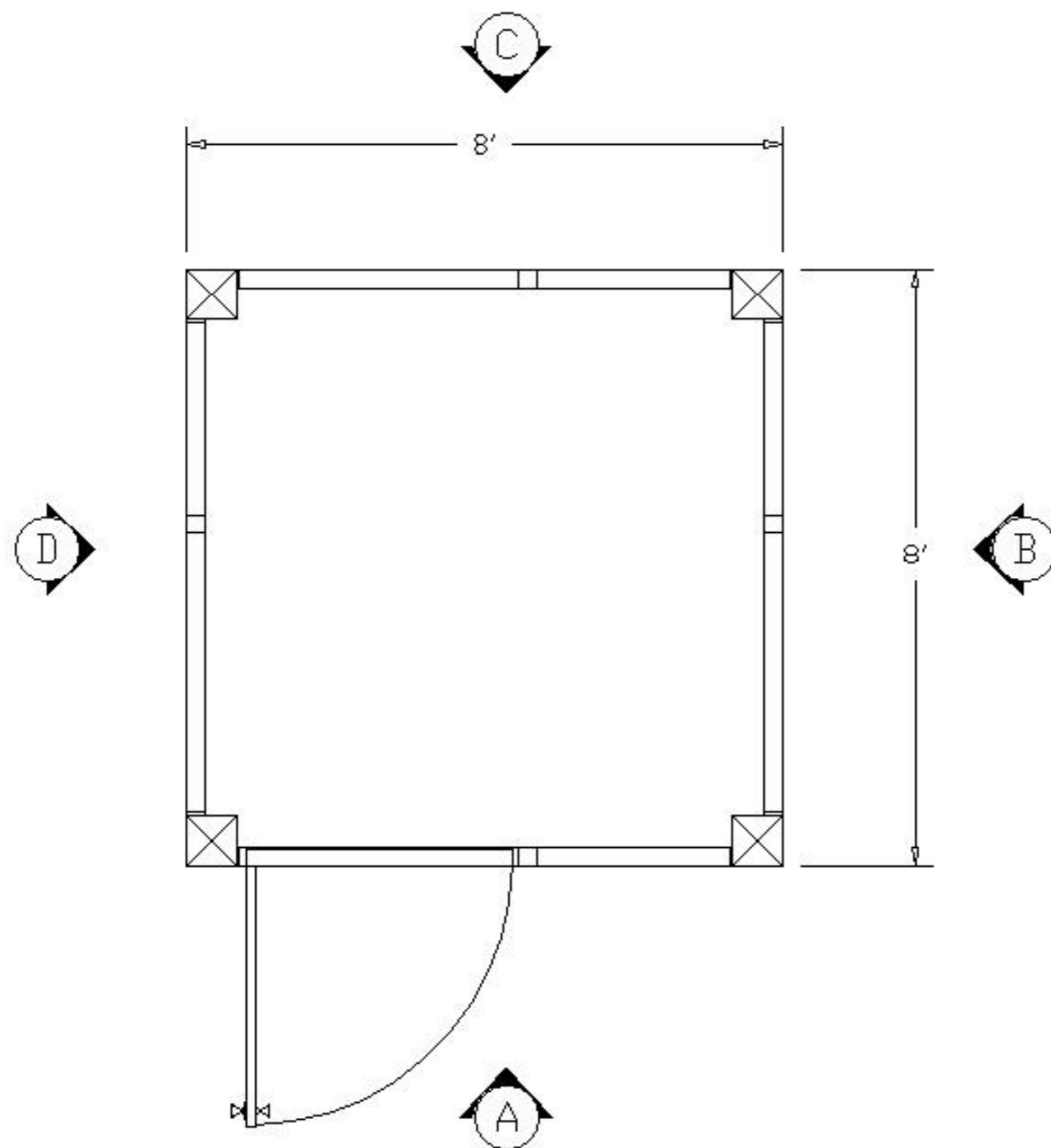


"B" ELEVATION

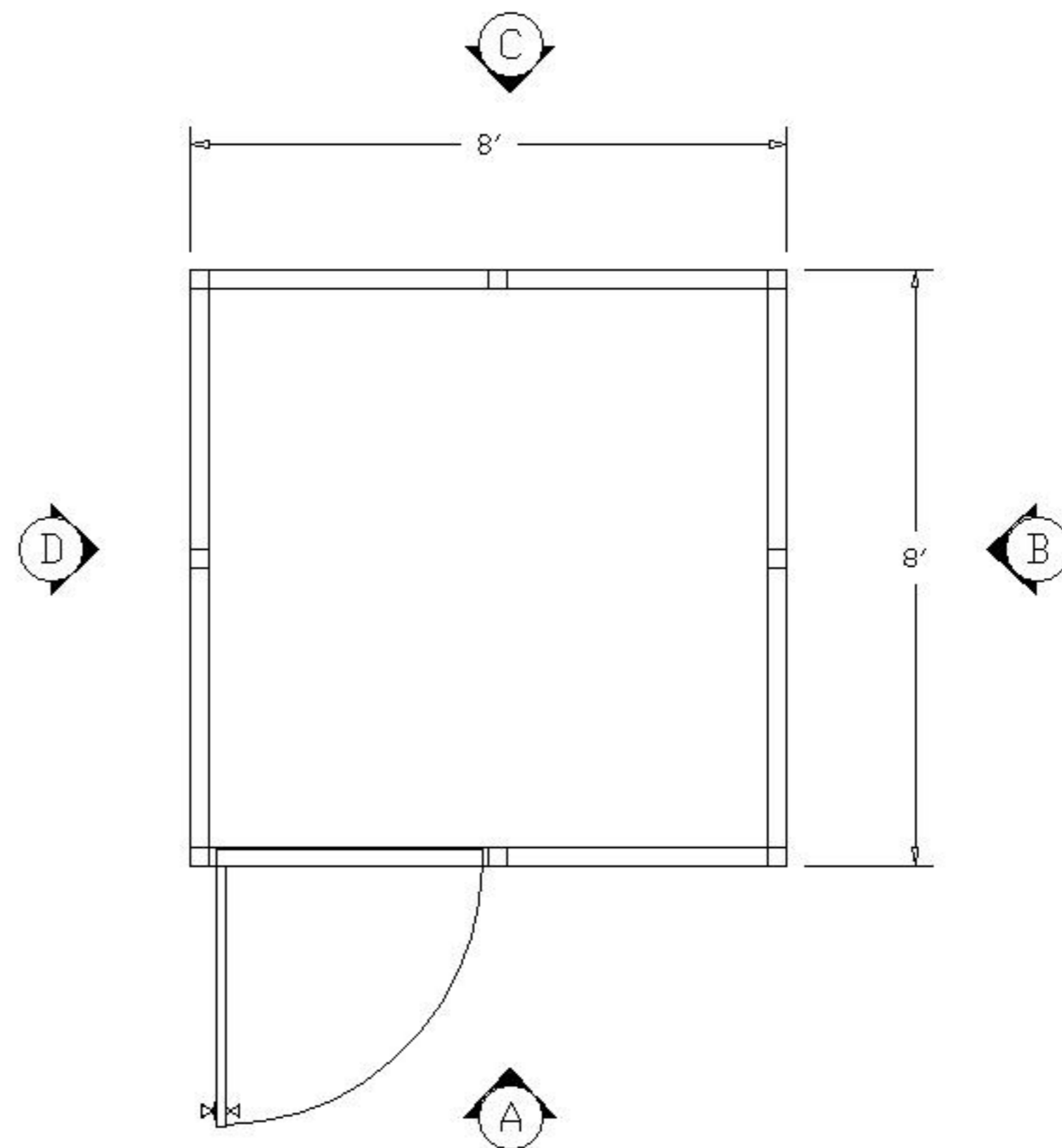
PLEASE MARK DESIRED LOCATION OF OPTIONS
 SHOWN IN LEGEND ON FLOOR PLAN
 IP3-2L-888

8" SQ. TUBE
 STEEL COLUMN = 

DESCRIPTION	SYMBOL	DESIGNATION
WINDOW PANEL =		W/P
SLIDING WINDOW PANEL =		SW/P
SOLID PANEL =		S/P
42" X 80" DOOR W/ 2' X 2' WINDOW =		D/L
DOUBLE DOOR W/ 2' X 2' WINDOW =		DD/L




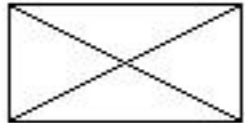
BASE LEVEL



FIRST LEVEL

PLEASE MARK DESIRED LOCATION OF OPTIONS
 SHOWN IN LEGEND ON FLOOR PLAN
 IP3-2L-888

8" SQ. TUBE
 STEEL COLUMN = 

<u>DESCRIPTION</u>	<u>SYMBOL</u>	<u>DESIGNATION</u>
TYP. 2'X4'x5/8" MINERAL BOARD = CEILING TILE		= C/T
TYP. 2' X 4' LAY IN 4 TUBE = LIGHT FIXTURE		= L/F

