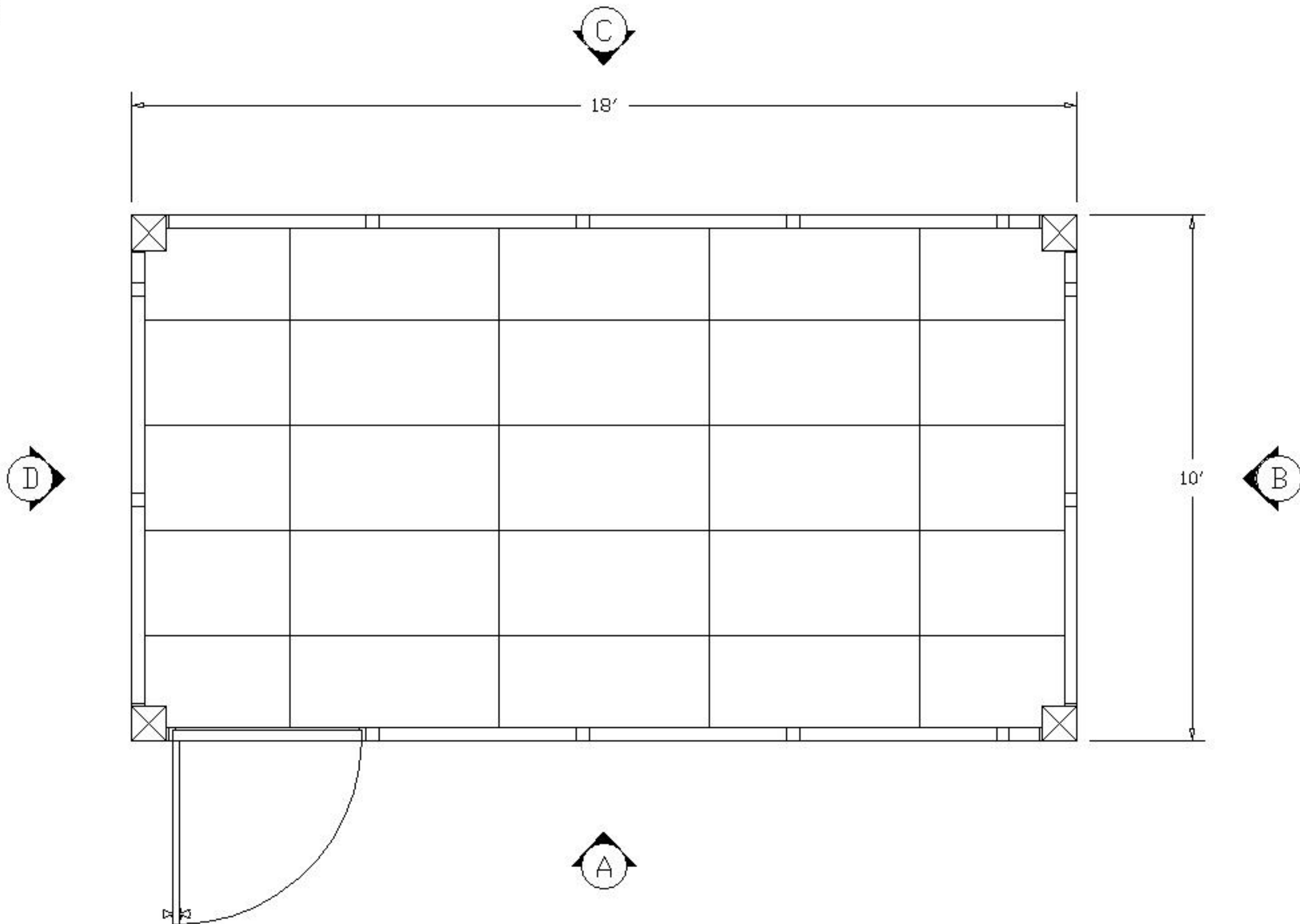
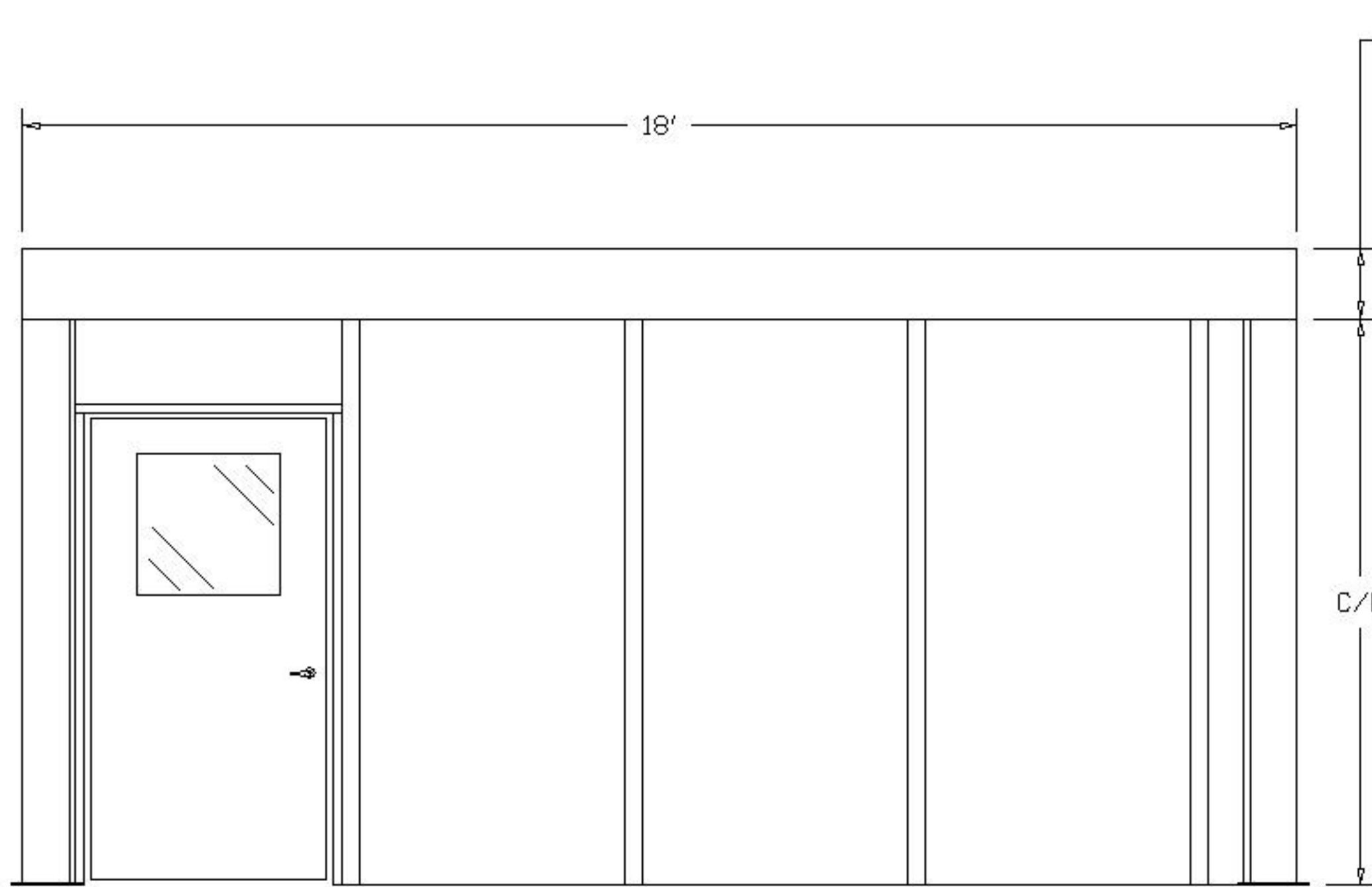


PLEASE MARK DESIRED LOCATION OF OPTIONS
 SHOWN IN LEGEND ON FLOOR PLAN
 IP3-STM-10188

DESCRIPTION	SYMBOL	DESIGNATION
208V OUTLET =		=
TYP. EMERGENCY FLOOD LIGHTS =		= E/L
120V DUPLEX OUTLET =		=
LIGHT SWITCH =		=
MAIN PANEL =		=
TYP. 2' X 4' LAY IN 4 TUBE LIGHT FIXTURE =		= L/F
THRU WALL HVAC UNIT =		=
8" SQ. TUBE STEEL COLUMN =		

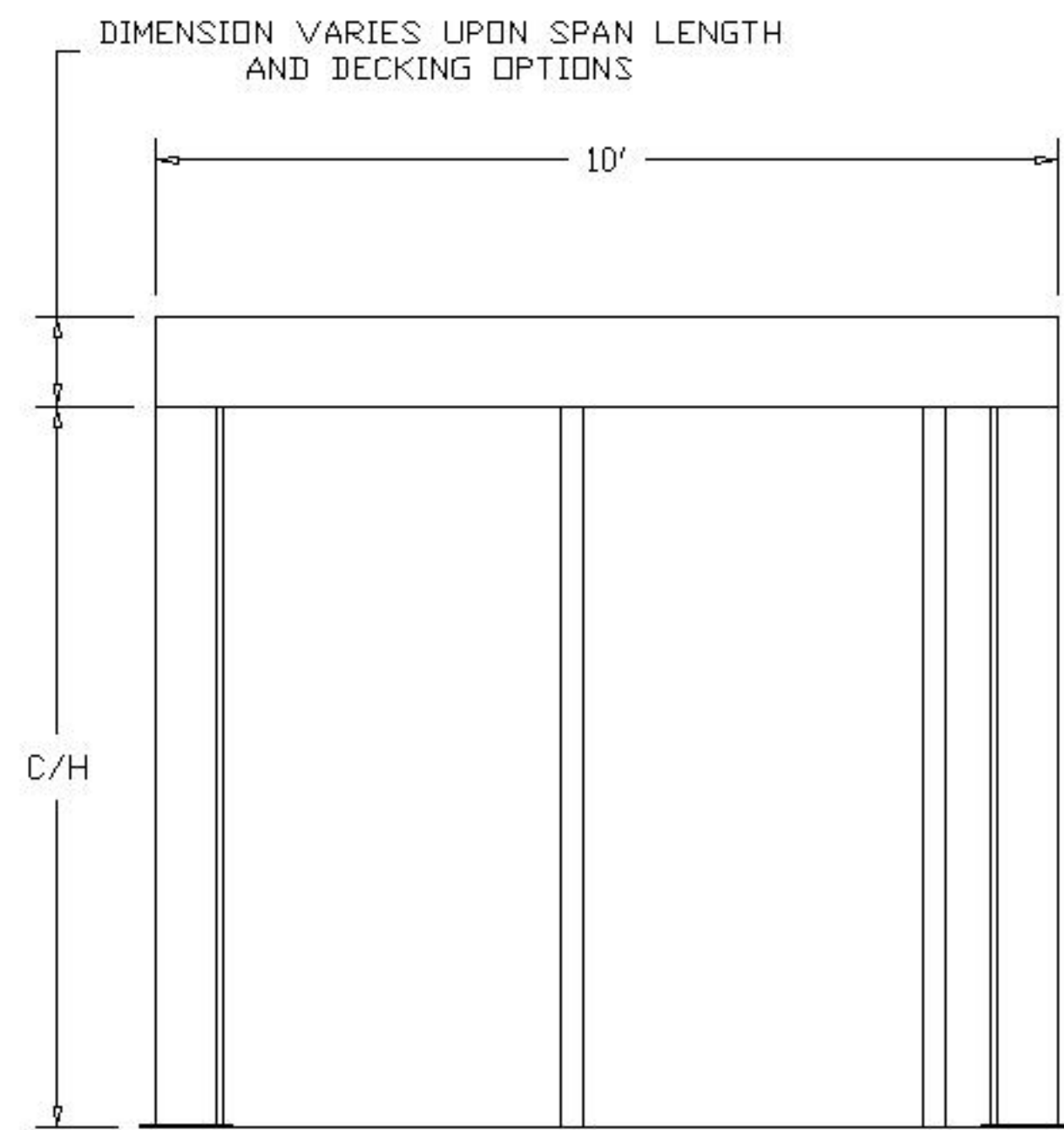




"A" ELEVATION

DIMENSION VARIES UPON SPAN LENGTH
AND DECKING OPTIONS

C/H SPECIFY CLEAR HEIGHT
(STANDARD IS 8')




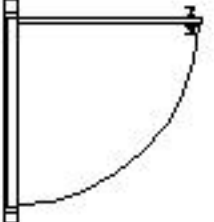
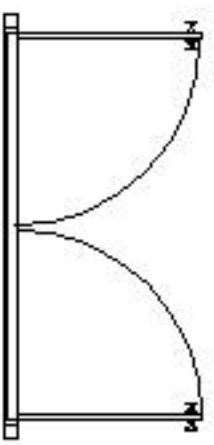



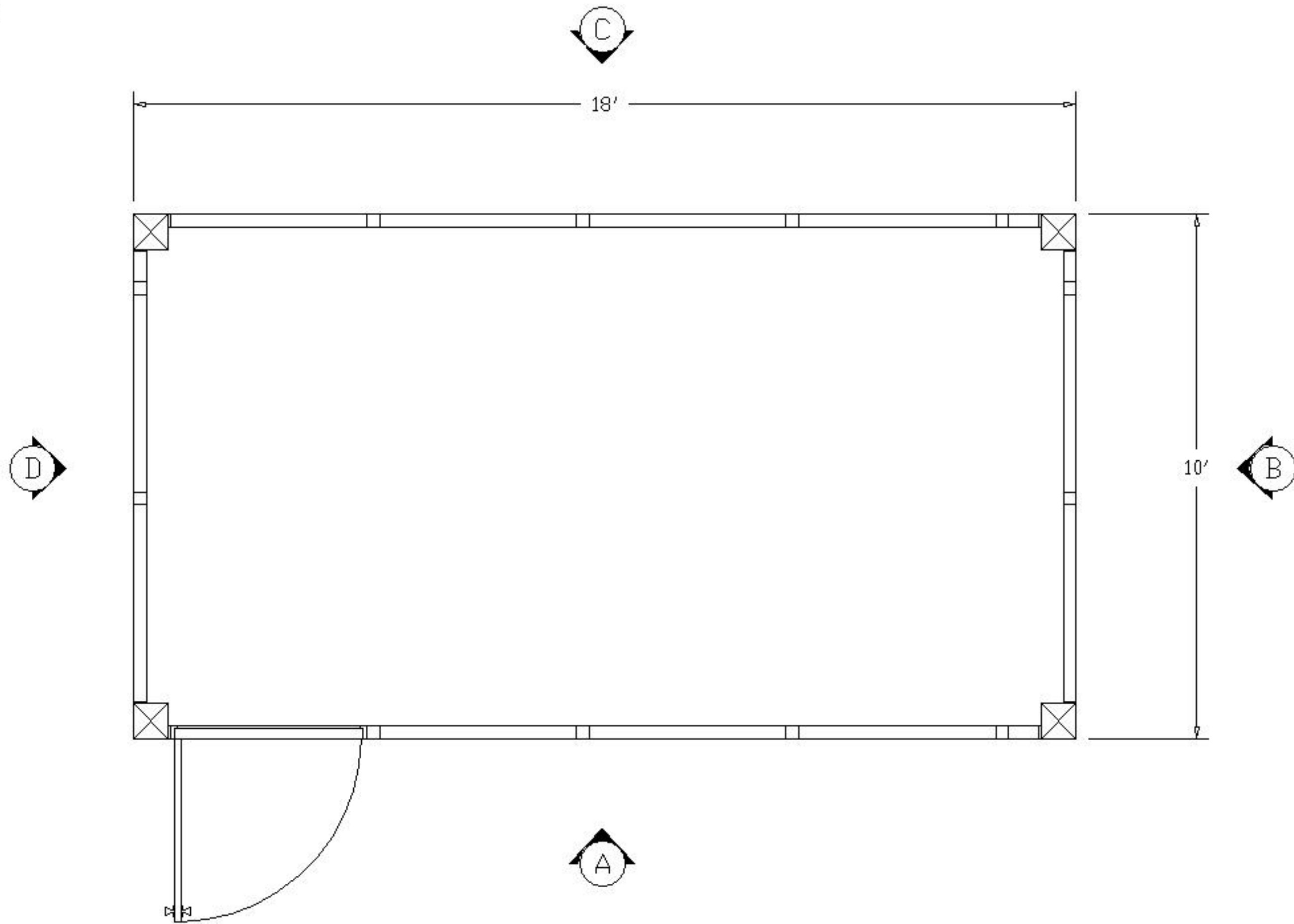
DIMENSION VARIES UPON SPAN LENGTH
AND DECKING OPTIONS

IP3-STM-10188

"B" ELEVATION

PLEASE MARK DESIRED LOCATION OF OPTIONS
 SHOWN IN LEGEND ON FLOOR PLAN
 IP3-STM-10188

<u>DESCRIPTION</u>	<u>SYMBOL</u>	<u>DESIGNATION</u>
WINDOW PANEL =		W/P
SLIDING WINDOW PANEL =		SW/P
SOLID PANEL =		S/P
42" X 80" DOOR W/ 2' X 2' WINDOW =		D/L
DOUBLE DOOR W/ 2' X 2' WINDOW =		DD/L
8" SQ. TUBE STEEL COLUMN =		



PLEASE MARK DESIRED LOCATION OF OPTIONS
 SHOWN IN LEGEND ON FLOOR PLAN
 IP3-STM-10188

DESCRIPTION

SYMBOL

DESIGNATION

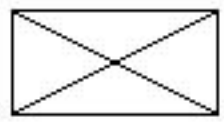
TYP. 2'X4'X5/8"
 MINERAL BOARD =
 CEILING TILE



=

C/T

TYP. 2' X 4'
 LAY IN 4 TUBE =
 LIGHT FIXTURE



=

L/F

8" SQ. TUBE
 STEEL COLUMN =



=

