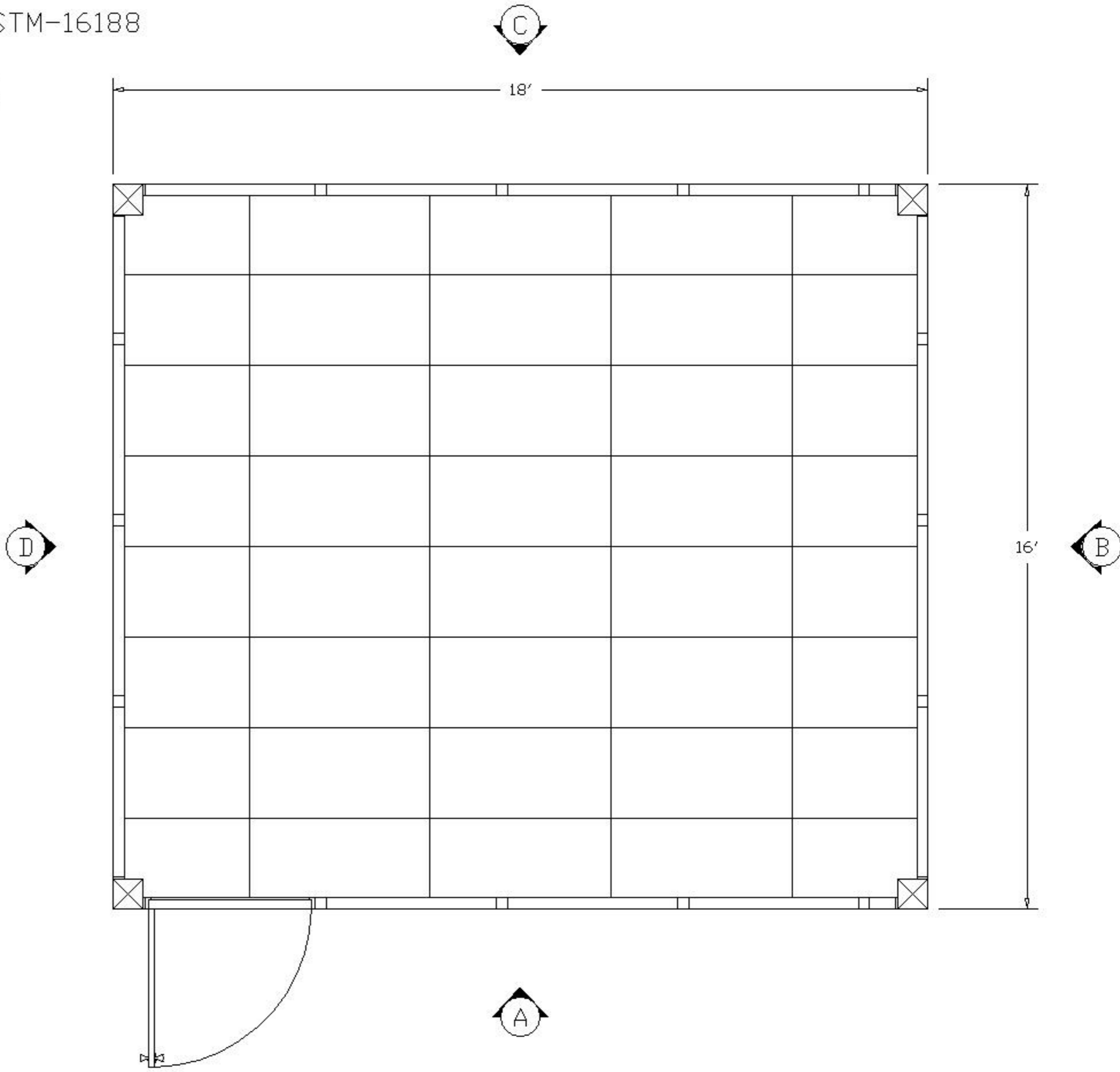
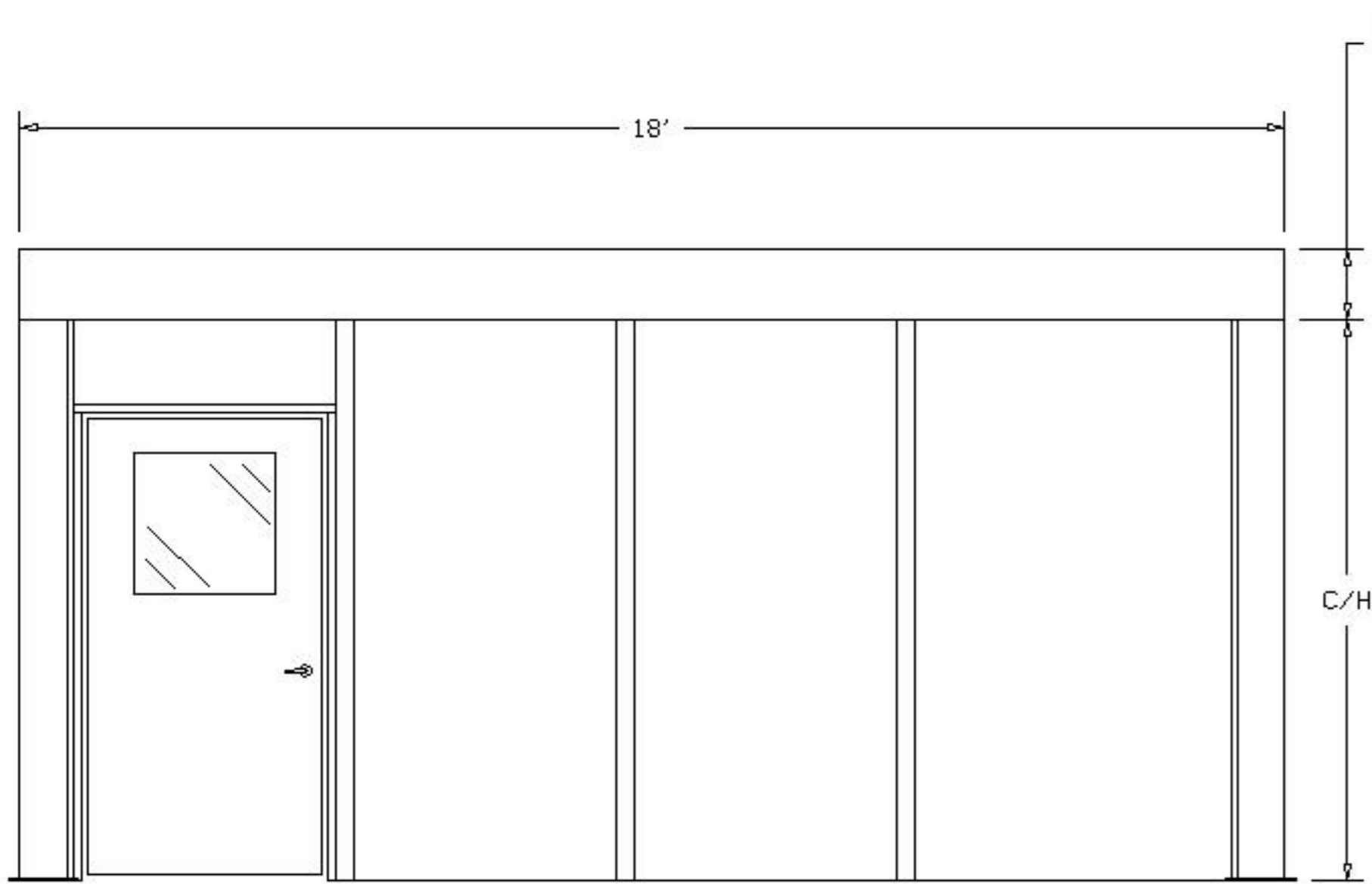


PLEASE MARK DESIRED LOCATION OF OPTIONS
 SHOWN IN LEGEND ON FLOOR PLAN
 IP3-STM-16188

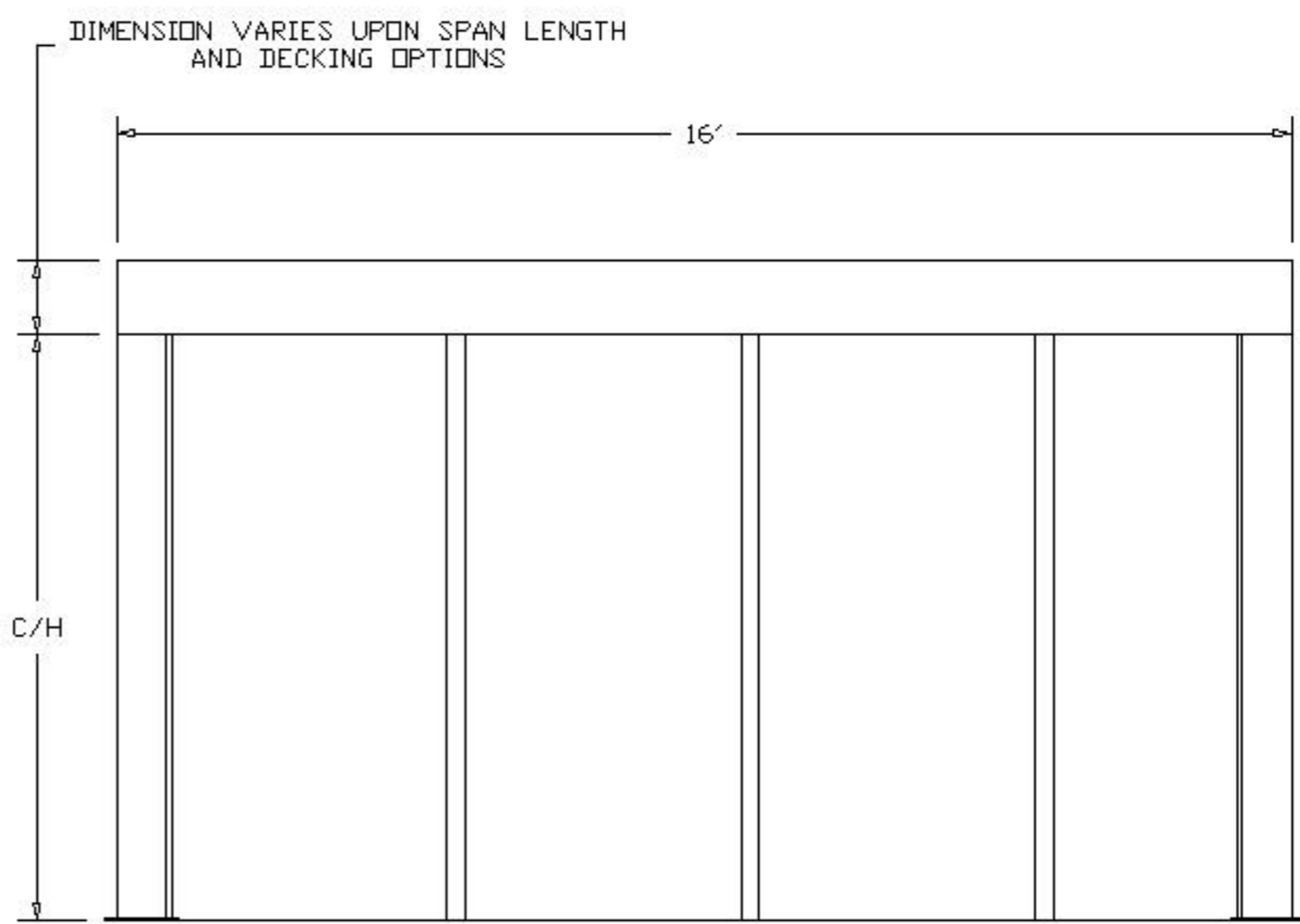
DESCRIPTION	SYMBOL	DESIGNATION
208V OUTLET	⊕	⊕
TYP. EMERGENCY FLOOD LIGHTS	⊠	E/L
120V DUPLEX OUTLET	⊕	⊕
LIGHT SWITCH	\$	\$
MAIN PANEL	PNL	PNL
TYP. 2' X 4' LAY IN 4 TUBE LIGHT FIXTURE	⊠	L/F
THRU WALL HVAC UNIT	HVAC	HVAC
8" SQ. TUBE STEEL COLUMN	⊠	





"A" ELEVATION

DIMENSION VARIES UPON SPAN LENGTH AND DECKING OPTIONS

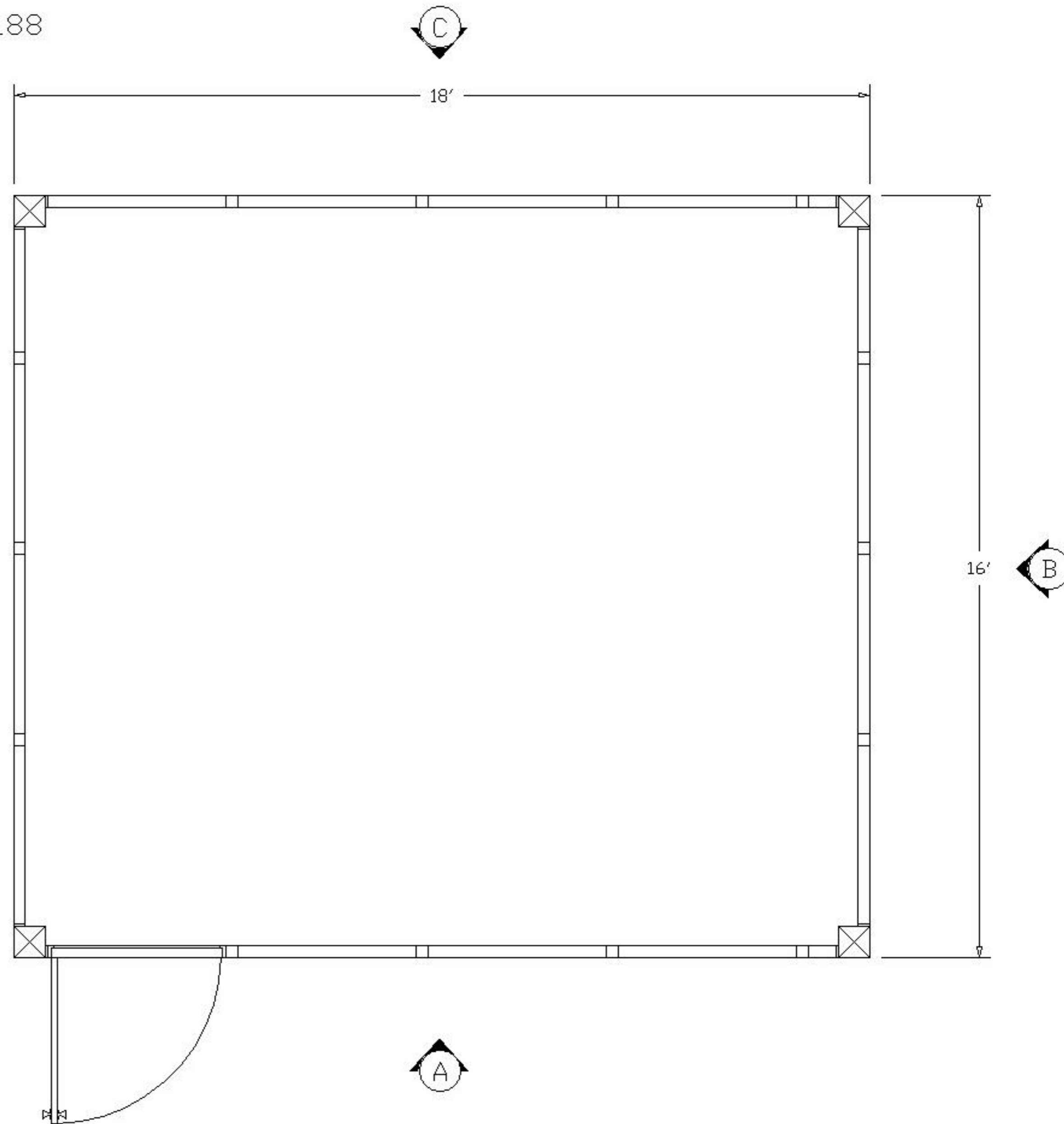


"B" ELEVATION

IP3-STM-16188

PLEASE MARK DESIRED LOCATION OF OPTIONS
 SHOWN IN LEGEND ON FLOOR PLAN
 IP3-STM-16188

DESCRIPTION	SYMBOL	DESIGNATION
WINDOW PANEL		W/P
SLIDING WINDOW PANEL		SW/P
SOLID PANEL		S/P
42" X 80" DOOR W/ 2' X 2' WINDOW		D/L
DOUBLE DOOR W/ 2' X 2' WINDOW		DD/L
8" SQ. TUBE STEEL COLUMN		



PLEASE MARK DESIRED LOCATION OF OPTIONS
 SHOWN IN LEGEND ON FLOOR PLAN
 IP3-STM-16188

DESCRIPTION

SYMBOL

DESIGNATION

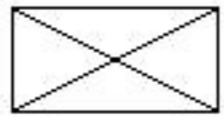
TYP. 2'X4'x5/8"
 MINERAL BOARD =
 CEILING TILE



=

C/T

TYP. 2' X 4'
 LAY IN 4 TUBE =
 LIGHT FIXTURE



=

L/F

8" SQ. TUBE =
 STEEL COLUMN



=

