

Abtech offers a full line of our Cleanroom Lighting Fixtures to serve as your one-stop source for Cleanroom Lighting Components. These Fixtures are available from Class 100,000-Class 10, ranging in a variety of styles and applications to choose from. The Lighting Fixtures featured in this media represent the best in industry lighting standards.

The AL-240 Lay-In Light Fixture Series is compatible with either a 1", 1-1/2" or 2" T-Grid System. For a ceiling layout which requires a 2" heavy extruded T-Grid System, our AL-241 Lay-In Light Fixture Series is produced specifically for that design.

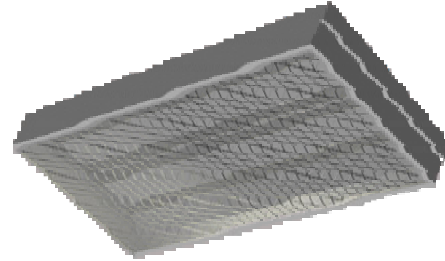
Our Laminar Flow Teardrop Light Fixture Series is exceptional for use in tight, narrow applications, and they are suitable for use in 2" T-Grid systems. The fixture's 4 ft. length matches nominal grid length.

Abtech's Flow-Thru Troffer Series helps add the element of HEPA filtered air to your lighting needs, combining two important Cleanroom components into one efficient unit.

If needed, we offer assistance to our customers in job layout by providing "Point-By-Point" Foot-Candle Levels for each room.

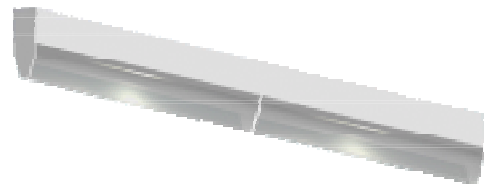
Call Factory Direct for prices and information on your standard and custom Lighting specifications.

Lay-In Light Fixtures:



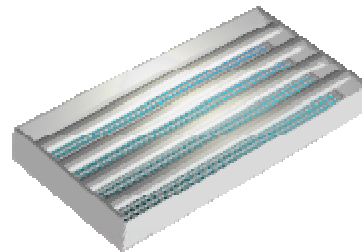
- 2' x 4' sealed, painted white, 20 ga. steel housing seals to grid.
- The housing and door are designed to fit either a standard or heavy extruded 2' x 4' ceiling grid opening.
- Sealed housing and door frame allow relamping without contamination of the clean areas.

Teardrop Light Fixtures:



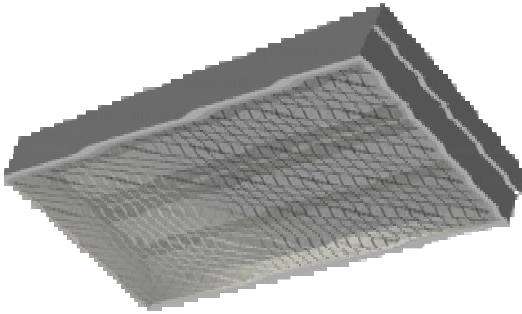
- Abtech Teardrop light fixtures are ideal for use in laminar flow Cleanrooms.
- Narrow airflow design minimizes turbulence.

Flow-Thru Troffers:



- Housing fabricated from 20 gauge steel.
- Combines Cleanroom airflow with lighting.
- All tested and in compliance with Federal standard 209D.

Specifications are subject to change without notice.



*Shown Above:
AL-240 Light Fixture for
1" and 1-1/2" T-Grid Systems*

The Abtech Cleanroom Lay-In Light Fixture is ideal for Cleanrooms, pharmaceutical and biomedical labs, food processing centers, hospitals and wet locations. The totally sealed housing maintains ceiling integrity and protects against infiltration of particles and airborne bacteria.

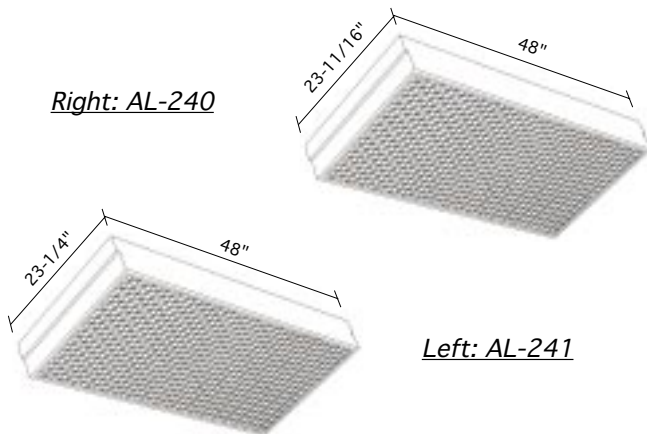
The housing and door are designed to fit a standard 2' x 4' ceiling grid opening. Housings are 20 gauge, painted with a white Polyester powdercoat finish with 92% reflectance.

Sealed door and housing allow relamping without contamination of the clean areas. The lens frame is removable from roomside, and it is flush mounted with T-Grid and seals to the housing. Lens is installed with smooth surface on outside for easy cleaning. Sealed, captive flat head screws secure the lens frame in the closed position.

Gasketed wiring access cover on the top allows easy access for wiring to the building power source.

Standard ballasts are 120V, T8/32W electronic for use with (4) medium bi-pin lamps. The ballast is mounted inside the housing and is removable from roomside. Other voltages are available.

These luminaires are U.L. listed and manufactured in accordance to U.S.D.A., F.D.A., and N.S.F. guidelines. All fixtures have been tested and reported in compliance with Federal Standard 209D and are suitable for Class 100,000 to Class 10 Cleanrooms.



Specifications:

AL-240

TYPE:

T-Bar mounted square sided Class 100,000-Class 10 Cleanroom fixture. Applicable where a sealed ceiling situation exists. Compatible with standard inverted T-Bar ceilings 1" or 1-1/2" width.

LENS FRAME:

Overlap 20 Gauge lens frame is sealed to grid with closed cell neoprene gasket. Lens is silicone sealed to lens frame to prevent contaminants from entering the room.

OPTICS:

.125" Clear prismatic acrylic or as specified.

CONSTRUCTION:

Die formed 20 gauge cold rolled steel housing with welded construction. All parts are fitted and sealed, no unused holes of KO's.

FINISH:

High reflectance baked white powdercoated finish with 92% reflectance, painted after fabrication.

WIRING:

120 Volts. 60 Hz. Unless otherwise specified.

LABELS:

U.L. Listed. Suitable for wet locations.

AL-241

TYPE:

Square sided, Class 100,000-Class 10 Cleanroom fixture. Applicable where a sealed ceiling situation exists. Compatible with 2" standard or heavy extruded inverted T-Bar ceilings.

LENS FRAME:

20 Gauge cold rolled steel; lens frame flush with T-Grid, seals to housing. Door frame and lens are sealed with closed cell neoprene gasket.

OPTICS:

.125" Clear prismatic acrylic or as specified.

CONSTRUCTION:

Die formed 20 gauge cold rolled steel housing with welded construction. All parts are fitted and sealed, no unused holes of KO's.

FINISH:

High reflectance baked white powdercoated finish with 92% reflectance, painted after fabrication.

WIRING:

120 Volts. 60 Hz. Unless otherwise specified.

LABELS:

U.L. Listed. Suitable for wet locations.

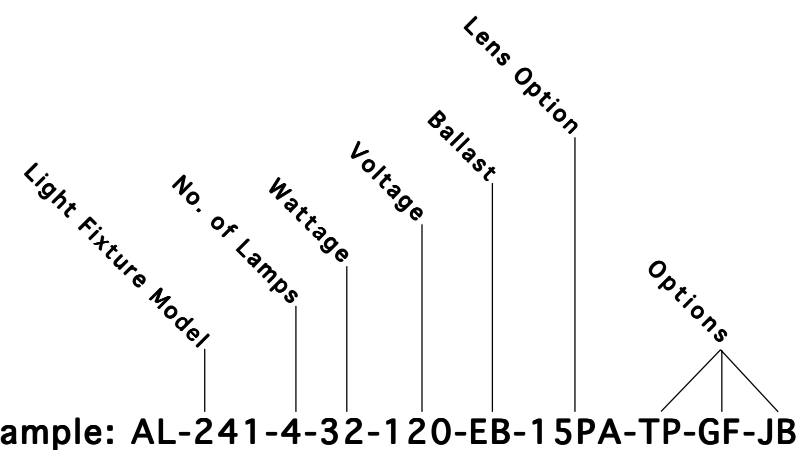
Specifications are subject to change without notice.

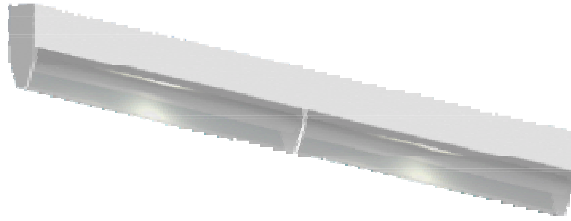
Ordering Information for AL-240 & AL-241

Specify

No. of LAMPS	Wattage	Voltage	Ballast	Lens Option	Options
2=2 Lamps	32=32 Watts	120=120 Volts	EB=Electronic Ballast	12PA=.125" Prism Acrylic	TP=Tamperproof Screws
3=3 Lamps	(T-8)	277=277 Volts			
4=4 Lamps	40=40 Watts	347=347 Volts	MB=Magnetic Ballast	15PA=.156" Prism Acrylic	GF=GLR Fuse
6=6 Lamps	(T-12)		EB2=(2) Elec. Ballasts	15PG=.156" Prism Glass	NL=Night Light (PL-7 or 9)
			EBH=<10% THD El. Ballast	18PP=.187" Prism P/C	DB=Dimming Ballast
				UO =UV Absorbing Overlay	EM=Emergency Lighting
					CW=Cold Weather Ballast
					RF=Radio Frequency Interference Filter
					JB=Internal Junction Box
					AHP=Aluminum Housing Painted
					AFP=Aluminum Lens Frame, Painted
					AFA=Aluminum Lens Frame, Anodized
					SHP=Stainless Steel Housing, Painted
					SFP=Stainless Steel Lens Frame, Painted
					SFN=Stainless Steel Lens Frame, Natural
					SG=Special Grid Housing

Example: AL-241-4-32-120-EB-15PA-TP-GF-JB

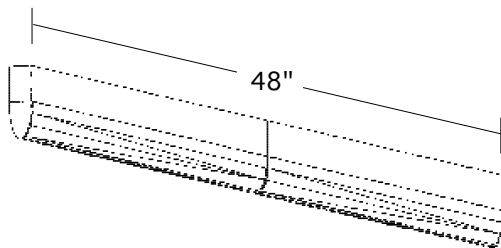




The Abtech Teardrop light fixture is designed for use in vertical, laminar air flow Cleanrooms. The narrow, airfoil design minimizes turbulence in Cleanrooms that require unidirectional air flow. Enclosed and gasketed housing allows mounting directly to 2" Tee-Grid systems. The lens is a one piece, clear extruded prismatic acrylic lens that maintains a smooth, environmentally viable side with an internal horizontal prism pattern, while the end lens gasketing seals the lens to the end cap to prevent entrapment of biohazardous contaminants which could grow inside the fixture. These luminaires are U.L. listed and C.S.A. certified for wet locations and are manufactured in accordance with U.S.D.A., F.D.A., and N.S.F. All fixtures have been tested and reported in compliance with Federal Standard 209D.

The housing is die-formed, 20 ga. steel housing with welded seams and end caps. Finish is standard white 92% reflectance polyester powdercoat.

Applications for the teardrop light fixture include use in Cleanrooms, technical and biomedical labs, food processing/testing centers, hospitals and pharmaceutical labs.



- T-8 ballast available in either 120 or 277 Volt
- Mounts directly to 2" T-Bar.
- Labellings are U.L. listed, C.S.A. certified, standard wet label.

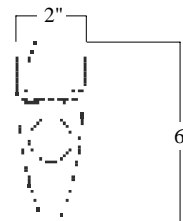
Four recessed, 7/8" diameter knockouts, one on each end cap and one on each end of the mounting surface, allow connection of vapor tight conduit fitting for either continuous row mounting or top access.

#AL400	4' Teardrop	120V	1 lamp	T8
#AL401	4' Teardrop	277V	1 lamp	T8

Further Ordering Information:

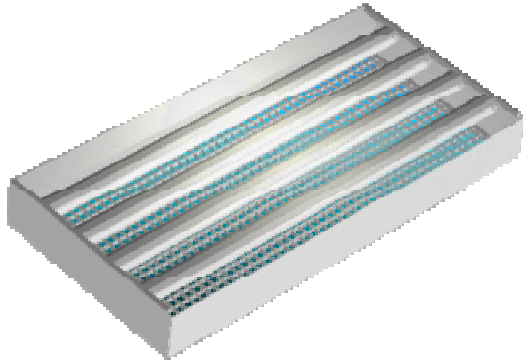
- Ballast: EB=Electronic Ballast
MB=Magnetic Ballast
EBH=<10% THD Electronic Ballast
- Lens: CL=Clear Lens, Prismatic
OL=Opal Lens
UV=Ultra Violet Yellow Lens
- Options: EM=Emergency Lighting
GF=GLR Fuse
AHP=Aluminum Housing Painted
DB=Dimming Ballast
CW=Cold Weather Ballast
SHP=Stainless Steel Housing painted
RF=Radio Frequency Interference Filter

example: **AL801-EB-CL-EM-AHP**



- Shipping Weight 12 Lbs. Fluorescent lamp tubes not included.

Specifications are subject to change without notice.



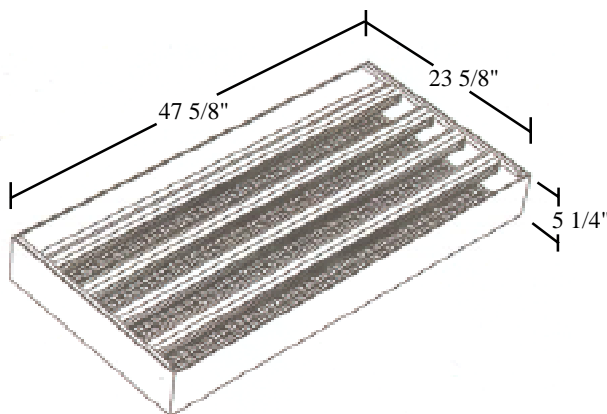
The Abtech Flow-Thru Troffer allows HEPA filtered air to flow through the fixture and into the Cleanroom. It is ideal for Class 10 to 100,000 Cleanroom environments, including electronic laboratories, biomedical laboratories, pharmaceutical laboratories, hospitals, and R & D testing centers. Housing fits into either 1", 1-1/2" or 2" standard T-Grid systems, and accepts standard 2' x 4' HEPA air filter.

The troffer contains no holes which would allow air passage from a plenum through the fixture, while closed cell gaskets and silicone seal the T-Grid system to prevent unfiltered air from entering the cleanroom. The housing is fabricated from 20 gauge steel with spot welded, sealed ends and is finished with a white powdercoating.

Standard ballasts are 120V, T8/32W electronic for use with (4) medium bi-pin lamps. The ballast is mounted inside the housing and is removable from roomside. All electrical components are U.L. listed. Other voltages and lamp specifications are available.

A white box cell louver (1/2" x 1/2" x 1/2") is inserted in an anodized extruded aluminum frame which is hinged to open, permitting removal of the lamps and ballast from roomside.

All fixtures have been tested and reported in compliance with Federal Standard 209D.



- Door frame is flush with T-Grid and seals to the Housing.
- Housing accepts standard 2' x 4' HEPA air filter.
- Gasketed Access Plate.
- Optional Lamp Reflectors.
- Shipping weight 31 Lbs. Fluorescent lamp tubes not included.

#AL901	2' x 4'	120V	4 lamp	T8
#AL902	2' x 4'	277V	4 lamp	T8

Specify Louver Type:

5BC=.5" Box Cell White Acrylic

5PC=.5" Parabolic Louver

Further Options:

TP=Tamperproof Screws

GF=GLR Screws

LR=Lamp Reflectors

DB=Dimming Ballast

EM=Emergency Lighting

CW=Cold Weather Ballast

AHP=Aluminum Housing painted

SHP=Stainless Steel Housing Painted

RF=Radio Frequency Interference Filter

example: **AL901-5PC-TP-EM-SHP**

Specifications are subject to change without notice.